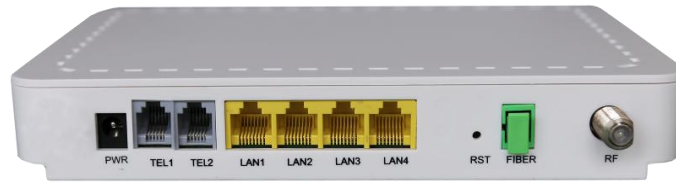


FD804GH series 4GE+ 2POTS + CATV Single Fiber GPON ONT



Brief Views

ONTFD804GH (4GE+2POTS+RF) series is a FTTH bandwidth access equipment .Based on mature and stable GPON technology, it has powerful functions with high stability ,QoS guarantee ,comprehensive management and flexible networking construction, etc.ONTFD804GH series is fully compatible with ITU-T G.984 technology standard.

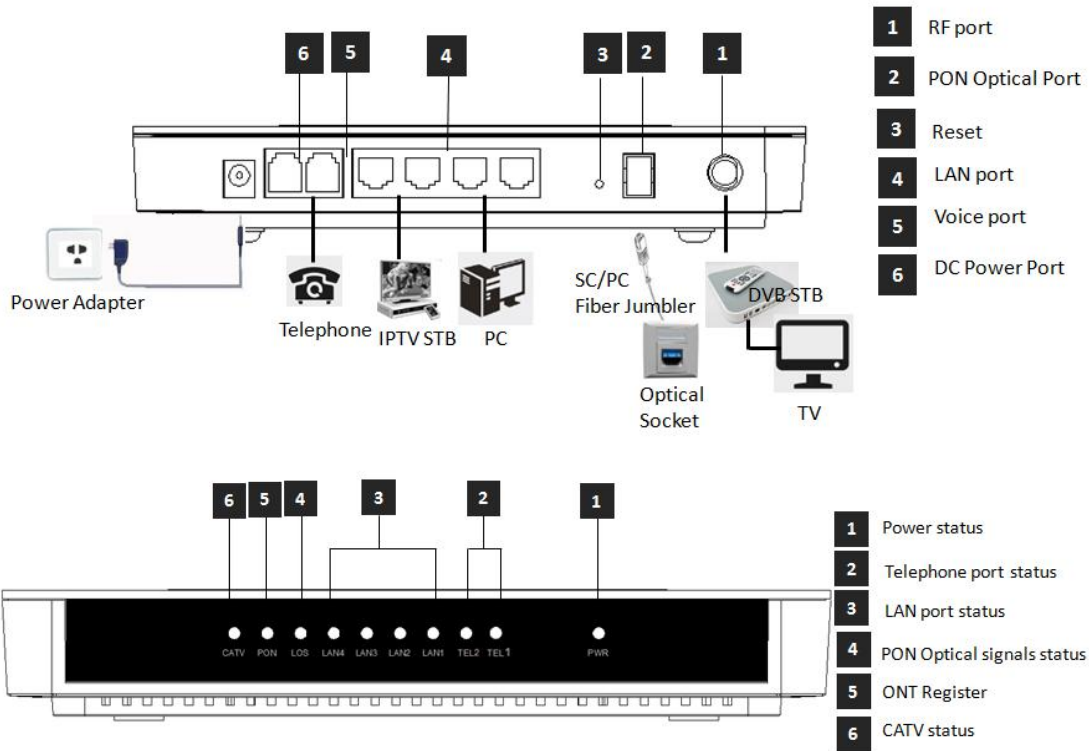
It adopts single fiber WDM technology with downlink wavelength 1490nm, uplink wavelength 1310nm .It only needs one-core fiber to transmit data service.

ONT FD804GH series has 1 PON port , 2 POTS port, four 10/100/1000BASE-T ports and one CATV output.

Functional Feature

- Full compatible with ITU-T G.984
- Support two POTS
- Support four GE auto-adapting Ethernet ports
- Support one CATV output
- Support OMCI and TR069 for remote management
- Support Web for local management
- Support Auto-negotiation and MDI/MDIX
- Support the Ethernet interface rate, working mode and flows control
- Support loopback at UNI
- Support packet filtering and anti-illegal message attack protection
- Support performance statistics of Ethernet lines
- Support VLAN tagged label processing, traffic classification and packet filtering, STP/RSTP etc.
- Support DHCP Option60 reporting the location information of the Ethernet interface
- Support PPPoE+ for accurate subscribers identification
- Support H.248、 MGCP and SIP protocol
- Support IGMP Snooping
- Support AES-128
- CATV support turn on/off RF output remotely

Product interface and LED definitions



Indicator		Description	
1	PWR	Power status	On: The ONU is power on Off: The ONU is Power off
2	TELn	Telephone port status	On : The connection between the TEL port and the voice server has been set up Blinking : The voice service of the TEL port is established Off : The connection between the TEL port and the voice server is not set up.
3	LAN1-4	LAN port status	On: Ethernet connection is normal Blinking: Data is being transmitted through the Ethernet port Off: Ethernet connection is not set up
4	LOS	GPON optical signals	On: Optical power lower than receiver sensitivity ; Off: Optical in normal
5	PON	ONT Register	On: Success to register to OLT Blinking: In process of registering to OLT Off: Failed to register to OLT;
6	CATV	CATV status	On : CATV optical normal Off : The CATV signals are not received

Specification

Item	Parameter	
Interface	Uplink Interface	1*GPON port, FSAN G.984.2 standard, Class B+ Downstream Data Rate: 2.488Gbps Upstream Data Rate: 1.244Gbps SC/PC single mode fiber 28dB Link loss and 30KM distance with 1:128
	CATV Interface	1 RF output Female F-Type Connector
	POTS Port	2*RJ11 with 3REN Max 1km distance Balanced Ring, 55V RMS
	Ethernet Interface	4*10/100/1000M auto-negotiation Full/half duplex mode RJ45 connector Auto MDI/MDI-X 100m distance
	Power Interface	12V DC Power supply
	PON Optical Parameter	Wavelength: Tx 1310nm, Rx1490nm Tx Optical Power: 0~5dBm Rx Sensitivity: -27dBm Saturation Optical Power: -8dBm Connector Type: SC Optical Fiber: 9/125um single-mode fiber
	Data Transmission Parameter	PON Throughput: Downstream 2.488Gbit/s; Upstream 1.244Gbit/s Ethernet: 1000Mbps Packet Loss Ratio: <math><1*10E-12</math> latency: <math><1.5ms</math>
	Business Capability	Layer 2 wire speed switching Support VLAN TAG/UNTAG, VLAN conversion Support Port-based speed limitation Support Priority classification Support storm control of broadcast Support link detection
Network Management	Management Mode	Standard compliant OMCI interface as defined by ITU-T G.984.4 Support TR069 and WEB management
	Management Function	Status monitor, Configuration management, Alarm management, Log management
Physical Features	Shell	Plastic casing
	Power	External 12VDC/1A power supply adapter Power consumption: <math><8W</math>
	Dimension and Weight	Item Dimension: 200mm(L) x 140mm(W) x 33mm (H) Item weight: 0.5kg

	Environmental Specifications	Operating temperature: 0 to 50°C Storage temperature: -40 to 85°C Operating humidity: 10% to 90%(Non-condensing) Storage humidity: 5% to 95%(Non-condensing)
--	------------------------------	---



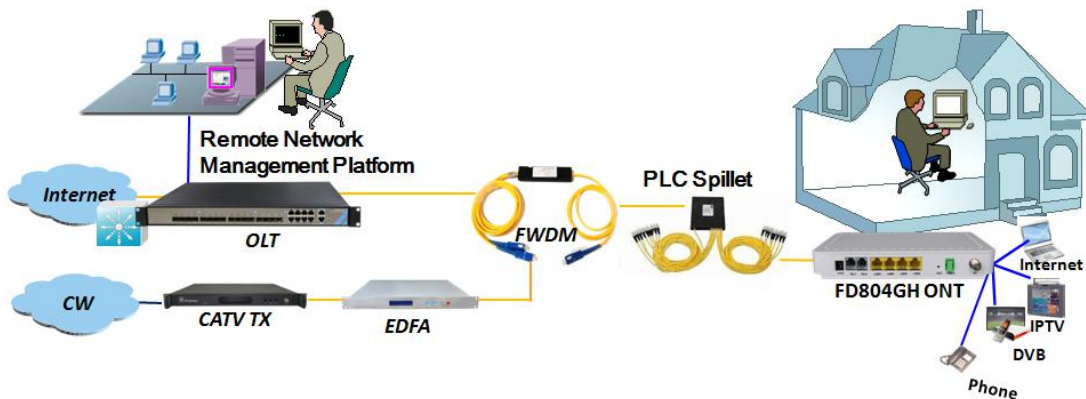
Item	Model		
	FD804GH	FD804GHL	FD804GHA
Wavelength	1100-1600nm		
Optical return loss	>45dB		
Input optical power	-15dBm~0dBm	-18dBm~-9dBm	-18dBm~0dBm
RF frequency	47MHz~1000MHz		
RF output lever	84dBuV (@-5dBm@85MHz)	81dBuV (@-10dBm@85MHz)	78dBuV (@-12~-2dBm@85MHz)
CNR	>47dB (@-5dBm@ DS22 Channel)	>41dB (@-10dBm@DS22 Channel)	
CSO	>60dBc (@-5dBm@ DS22 Channel)	>60dBc (@-10dBm@DS22 Channel)	
CTB	>60dBc (@-5dBm@ DS22 Channel)	>60dBc (@-10dBm@DS22 Channel)	
RF output return loss	>14dB	>12dB	
RF impedance	75Ohm		
AGC function	/	/	Support



Application

- ✧ Typical Solution: FTTH, FTTO, PON+EOC
- ✧ Typical Business: INTERNET, VOICE, CATV, IPTV, VOD, IP Camera

Network Construction



Ordering information

Product Name	Product Model	Descriptions
4GE + 2POTS + CATV GPON ONT	FD804GH	4*10/100/1000M Ethernet interface, 1 GPON interface, 2 POTS interface, Input optical power -15dBm~0dBm ,Plastic casing, external power supply adapter
	FD804GHL	4*10/100/1000M Ethernet interface, 1 GPON interface, 2 POTS interface, Input optical power -18dBm~-9dBm ,Plastic casing, external power supply adapter
	FD804GHA	4*10/100/1000M Ethernet interface, 1 GPON interface, 2 POTS interface, Input optical power -18dBm~0dBm ,support AGC function, Plastic casing, external power supply adapter