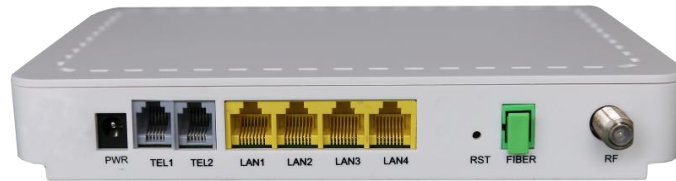


FD404GH series 4GE+ 2POTS + CATV Single Fiber EPON ONU



Brief Views

ONU FD404GH (4GE+2POTS+RF) series is a FTTH bandwidth access equipment .Based on mature and stable EPON technology, it has powerful functions with high stability ,sound QoS guarantee ,comprehensive management and flexible networking construction, etc .ONU FD404GH series is technology standard fully complies with ITU-T, IEEE and telecommunication technology standard.

It adopts single fiber WDM technology with downlink wavelength 1490nm, uplink wavelength 1310nm .It only needs one-core fiber to transmit data service.

ONU FD404GH series has 1 PON port ,2 POTS port, four10/100/1000 BASE-T ports and one CATV output.

Functional Feature

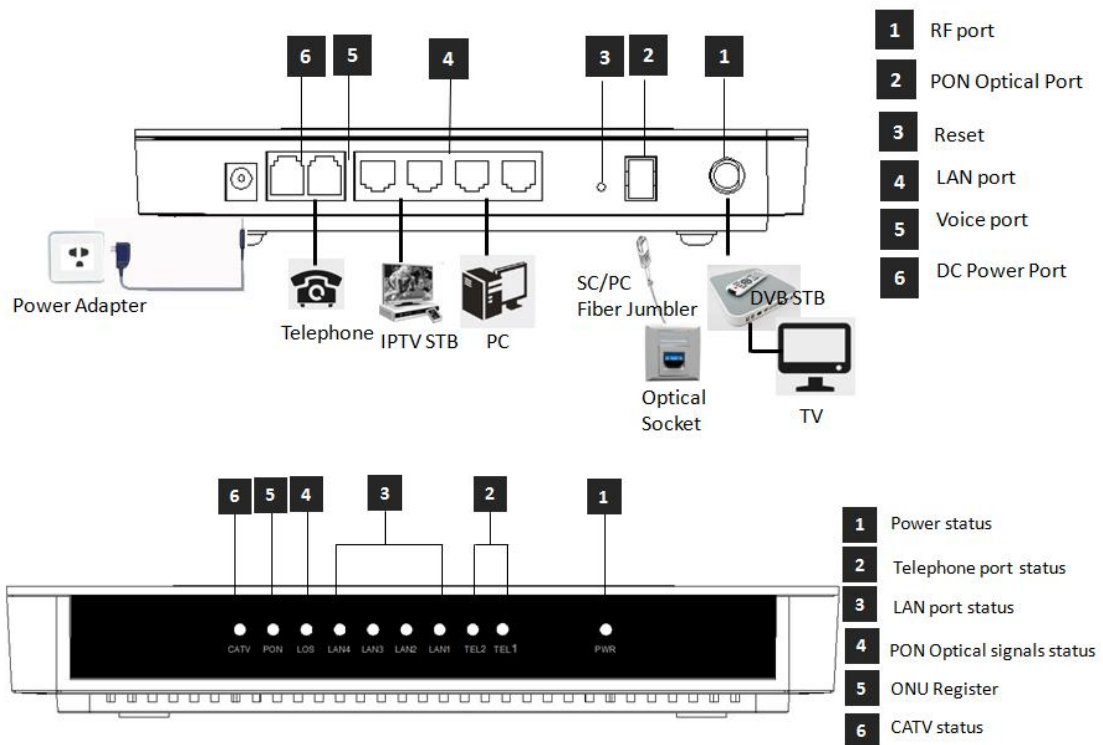
- In compliant with IEEE802.3ah Standard and CTC2.1
- Up to 20KM transmission Distance
- Support VLAN and IGMP
- Support port isolation between different ports
- Integrated OAM remote configuration and maintenance function
- Plug and play, integrated auto detecting, auto configuration, and auto firmware upgrade technology
- EMS network management based on SNMP ,convenient for maintenance
- Full speed non-blocking switching.
- Support QinQ VLAN, 1:1 VLAN, VLAN reusing, VLAN trunk, etc.
- Integrated port monitoring, port mirroring, port rate limiting, etc.
- Support auto polarity detection of Ethernet ports (AUTO MDIX).
- Integrated IEEE802.1p QoS with four level priority queues.
- Support IPv4 IGMP snooping and IPv6 MLD snooping.

✧ Voice Service Functions

- Support SIP (compatible with IMS), H.248, MGCP three VoIP protocol, and the soft switch platform the mainstream can be good intercommunication;

- With the heartbeat function, support the main producing soft exchange platform;
- Support ITU-T G.711, G.723.1, G.729 and other three kinds of compression algorithm; echo cancellation conforming to ITU-T G.168-2002, an echo canceller for the longest 128ms;
- Support high / low speed mode transparent transmission, T38 two fax;
- Support high-speed Modem (56Kbps) dial access; support RFC2833 and redundant RFC2833, ringing, MD5 certification, call forwarding, call waiting, the hotline, alarm clock, abbreviated dialing and other value-added services;
- Support 2 POTS interface and the three party call, three party support local mixing;
- Support POTS port GR909 line test function;
- Support dynamic PPPoE, DHCP and static IP;
- 7 * 24 hour call loss is less than or equal to 0.01%;

Product interface and LED definitions



Indicator		Description	
1	PWR	Power status	On: The ONU is power on Off: The ONU is Power off
2	TELn	Telephone port status	On : The connection between the TEL port and the voice server has been set up Blinking : The voice service of the TEL port is established Off : The connection between the TEL port and the voice server is not set up.
3	LAN1-4	LAN port status	On: Ethernet connection is normal Blinking: Data is being transmitted through the Ethernet port Off: Ethernet connection is not set up

4	LOS	EPON optical signals	On: Optical power lower than receiver sensitivity ; Off: Optical in normal
5	PON	ONU Register	On: Success to register to OLT Blinking: In process of registering to OLT Off: Failed to register to OLT;
6	CATV	CATV status	On : CATV optical normal Off : The CATV signals are not received

Specification

Item		Parameter
Interface	Uplink Interface	PON Interface: 1 EPON optical interface Meet 1000BASE-PX20+ standard Symmetric 1.25Gbps upstream/downstream SC single-mode fiber split ratio: 1:64 Transmission distance 20KM
	POTS Port	2*RJ11 with 3REN Max 1km distance Balanced Ring, 55V RMS
	CATV Interface	1 RF output Female F-Type Connector
	Ethernet Interface	4*10/100/1000M auto-negotiation Full/half duplex mode RJ45 connector Auto MDI/MDI-X 100m distance
	Power Interface	12V DC Power supply
Performance Parameters	PON Optical Parameter	Wavelength: Tx 1310nm, Rx1490nm Tx Optical Power: 0~4dBm Rx Sensitivity: -27dBm Saturation Optical Power: -3dBm Connector Type: SC Optical Fiber: 9/125 μ m single-mode fiber
	Data Transmission Parameter	PON Throughput: Downstream 950Mbps; Upstream 930Mbps Ethernet: 1000Mbps Packet Loss Ratio: 1×10^{-12} latency: <math>< 1.5\text{ms}</math>
	Business Capability	Layer 2 wire speed switching Support VLAN TAG/UNTAG, VLAN conversion Support Port-based speed limitation Support Priority classification Support storm control of broadcast

Network Management	Support link detection
	Management Mode Support IEEE802.3 QAM, ONU can be remotely managed by OLT Support Remote management through SNMP and Telnet Local management
	Management Function Status monitor, Configuration management, Alarm management, Log management
Physical Features	Shell Plastic casing
	Power External 12VDC/1A power supply adapter Power consumption: <8W
	Dimension and Weight Item Dimension: 200mm(L) x 140mm(W) x 33mm (H) Item weight: 0.5kg
	Environmental Specifications Operating temperature: 0 to 50°C Storage temperature: -40 to 85°C Operating humidity: 10% to 90%(Non-condensing) Storage humidity: 5% to 95%(Non-condensing)

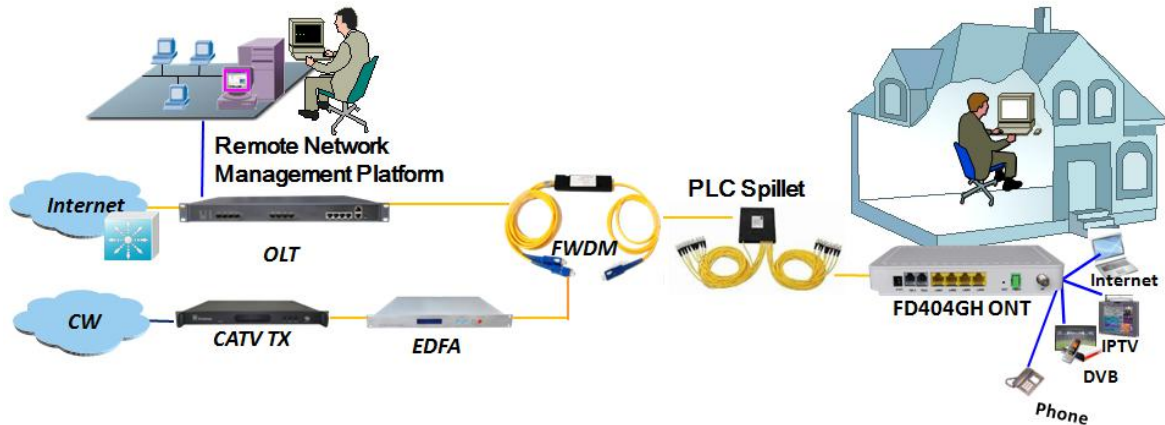


Item	Model		
	FD404GH	FD404GHL	FD404GHA
Wavelength	1100-1600nm		
Optical return loss	>45dB		
Input optical power	-15dBm~0dBm	-18dBm~-9dBm	-18dBm~0dBm
RF frequency	47MHz~1000MHz		
RF output lever	84dBuV (@-5dBm@85MHz)	81dBuV (@-10dBm@85MHz)	78dBuV (@-12~-2dBm@85MHz)
CNR	>47dB (@-5dBm@ DS22 Channel)	>41dB (@-10dBm@DS22 Channel)	
CSO	>60dBc (@-5dBm@ DS22 Channel)	>60dBc (@-10dBm@DS22 Channel)	
CTB	>60dBc (@-5dBm@ DS22 Channel)	>60dBc (@-10dBm@DS22 Channel)	
RF output return loss	>14dB	>12dB	
RF impedance	75Ohm		
AGC function	/	/	Support

Application

- ✧ Typical Solution: FTTH、FTTO、PON+EOC
- ✧ Typical Business: INTERNET、VOICE、CATV、IPTV、VOD、IP Camera

Network Construction



Ordering information

Product Name	Product Model	Descriptions
4GE + 2POTS + CATV EPON ONU	FD404GH	4*10/100/1000M Ethernet interface, 1 EPON interface, 2 POTS interface, Input optical power -15dBm~-0dBm ,Plastic casing, external power supply adapter
	FD404GHL	4*10/100/1000M Ethernet interface, 1 EPON interface, 2 POTS interface, Input optical power -18dBm~-9dBm ,Plastic casing, external power supply adapter
	FD404GHA	4*10/100/1000M Ethernet interface, 1 EPON interface, 2 POTS interface, Input optical power -18dBm~-0dBm ,support AGC function, Plastic casing, external power supply adapter