

FD504G-E-R410 4GE Data Type ONU



Brief Views

FD504G-E-R410 EPON ONU is passive optical network terminal produced by C-Data for broadband access market based on EPON technology. It's are used together with EPON OLT to provide a complete broadband access solution.

EPON technology is an emerging technology which takes advantage of PON technology and Ethernet technology. It's also point to multi-point network technology, and combined with single-fiber bidirectional technology. OLT device interconnected with multiple ONU through the passive optical network . EPON network system can use fewer fiber cable to meet the multi-user access needs of operators.

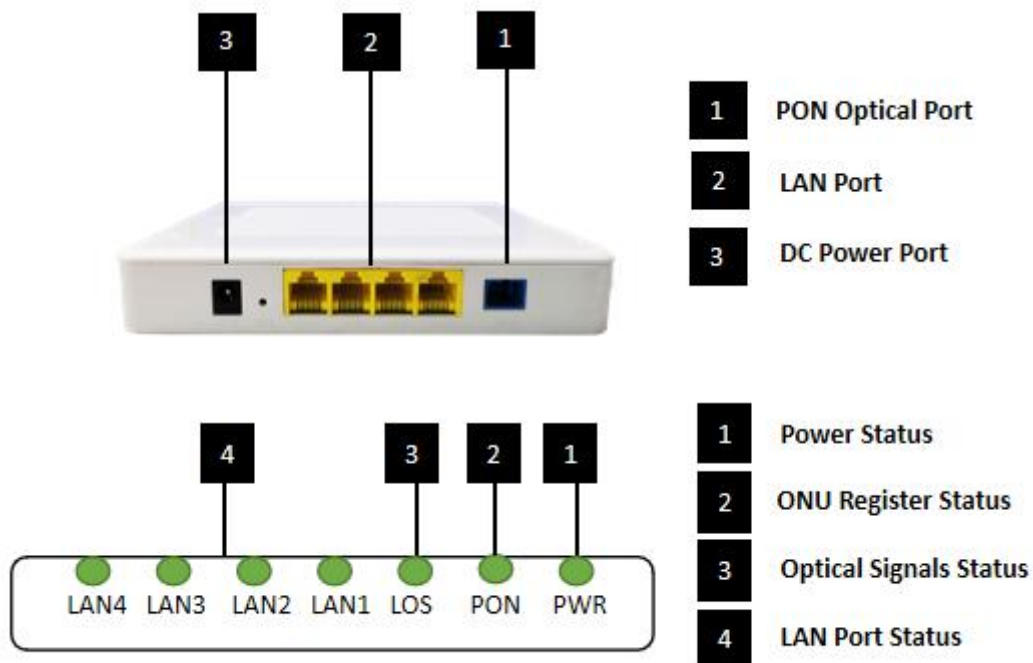
FD504G-E-R410 fully meets IEEE802.3ah and CTC3.0 standard protocol. It has good compatibility to work with the third party OLT. It supports 1Gbps transmission rate up and down and provides users with good quality of service (QoS), flexible bandwidth allocation of Ethernet data service.

Functional Feature

- Support ONU auto-discovery/Link detection/remote upgrade of software;
- Support MAC and LOID+Password multiple registration methods
- Support port VLAN configuration
- Support mac-address learning
- Support port-based rate limitation and bandwidth control;

- Support port isolate
- Support port flow-control
- Support broadcasting storm resistance function
- Support igmp transparent/snooping/proxy mode
- Support remote management configuration
- Support Dynamic Bandwidth Allocation (DBA)
- Support Triple Churning algorithm encryption and decryption
- EMS network management based on SNMP ,convenient for maintenance
- Support power-off alarm function ,easy for link problem detection

Product Interface and LED Definitions



Indicator		Description	
1	PWR	Power status	On: The ONU is power on; Off: The ONU is Power off;
2	PON	ONU Register	On: Success to register to OLT Blinking: In process of registering to OLT; Off: In process of registering to OLT;
3	LOS	EPON optical signals	On: Optical power lower than receiver sensitivity ; Off: Optical in normal
4	LAN1-4	LAN Port status	On: Ethernet connection is normal; Blinking: Data is being transmitted through the Ethernet port; Off: Ethernet connection is not set up;

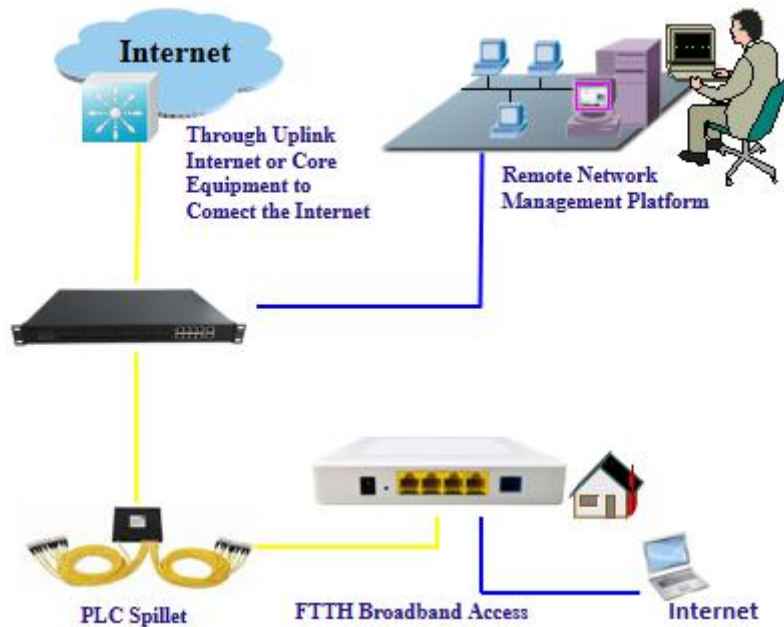

Specification

Item	Parameter
PON Interface	1 EPON optical interface Meet 1000BASE-PX20+ standard Symmetric 1.25Gbps upstream/downstream SC/UPC single-mode fiber split ratio: 1:64 Transmission distance 20KM
User Ethernet Interface	4*10/100/1000M auto-negotiation Full Duplex / Half-Duplex RJ45 Connector Auto MDI/MDI-X Transmission Distance 100 Meter
Power Interface	12V DC power supply
PON Optical Parameter	Wavelength: Tx 1310nm, Rx1490nm Tx Optical Power: 0~4dBm Rx Sensitivity: -27dBm Saturation Optical Power: -3dBm
Data Transmission Parameter	PON Throughput: Downstream 980Mbps; Upstream 950Mbps Ethernet: 1000Mbps Packet Loss Ratio: <math><1 * 10E-12</math> latency: <math><1.5ms</math>
Business Capability	Layer 2 wire speed switching Support VLAN TAG/UNTAG, VLAN translation Support Port-based speed limitation Support Priority classification Support storm control of broadcast Support loop detection
Network Management	OAM, WEB, Telnet
Management Function	Status monitor, Configuration management, Alarm management, Log management
Power	<math><4.5W</math>, 12V/0.5A power supply adapter
Physical Specifications	Item Dimension: 160mm(L) x 112mm(W) x 28.5mm (H) Item Net Weight: about 198g
Environmental Specifications	Operating temperature: 0 to 40°C Operating humidity: 10% to 90%(Non-condensing)

Network Application

Typical Solution: FTTH, FTTO

Typical Business: INTERNET, IPTV



Ordering Information

Product Name	Product Model	Descriptions
4GE Data Type ONU	FD504G-E-R410	4*10/100/1000M Ethernet interface, 1 EPON interface, plastic casing, external power supply adapter