

FD504GW-DE-Z410 4GE+ Dual-Band WIFI ONU



Brief Views

FD504GW-DE-Z410 data type ONU is one of the EPON optical network unit design to meet the requirement of the broadband access network. It apply in FTTH/FTTO to provide the data, video service based on the EPON network.

EPON technology is a kind of emerging technology which takes advantage of PON technology and Ethernet technology also is a kind of point to multi-point network technology. OLT through the passive optical network to connect multiple ONU with single fiber bidirectional technical can rarely used fiber resources to meet the operators of the multi-user access requirements.

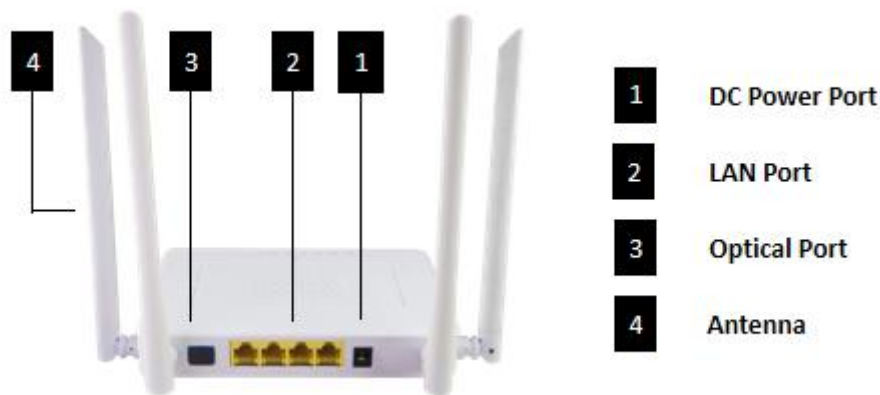
FD504GW-DE-Z410 have a high reliability and provide quality of service guarantee, easy management, flexible expansion and networking. It fully meets the IEEE technical standards and have good compatibility with third party OLT.

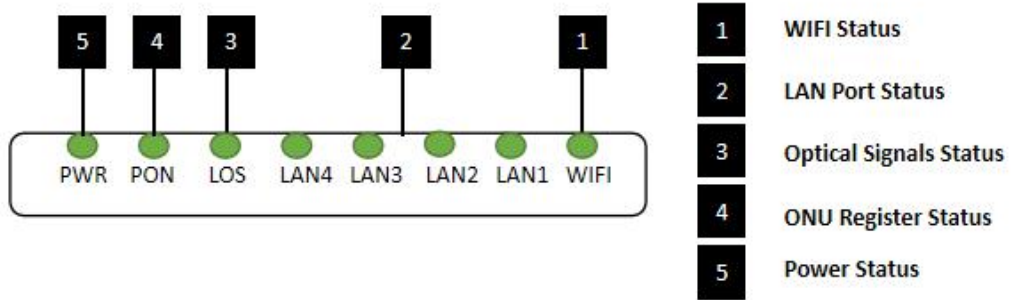
FD504GW-DE-Z410 integrates wireless function which meets 802.11 a/b/g/n/ac technical standards. At the same time, it also supports 2.4GHz/5GHz dual-band wireless signal. It has the characteristics of strong penetrating power and wide coverage. It can provide users with more efficient data transmission security.

Functional Feature

- In compliant with IEEE802.3ah Standard
- Meet 802.11 a/b/g/n/ac WIFI technical standard
- Support ONU auto-discovery/Link detection/remote upgrade of software
- Support VLAN transparent, tag configuration
- Support multicast function
- Support DHCP/Static/PPPOE internet mode
- Support port-binding
- Support OAM+TR069 remote management
- Support data encryption and decryption function
- Support Dynamic Bandwidth Allocation (DBA)
- Support MAC filter and URL access control
- Support power-off alarm function ,easy for link problem detection
- Specialized design for system breakdown prevention to maintain stable system
- EMS network management based on SNMP ,convenient for maintenance

Product Interface and LED Definitions





| Indicator | | Description | |
|-----------|--------|----------------------|---|
| 1 | WIFI | WIFI | Blinking: Data is being transmitted On: WIFI function Opens Off: WIFI function Close |
| 2 | LAN1-4 | LAN Port status | On: Ethernet connection is normal; Blinking: Data is being transmitted through the Ethernet port; Off: Ethernet connection is not set up; |
| 3 | LOS | EPON optical signals | On: Optical power lower than receiver sensitivity ; Off: Optical in normal |
| 4 | PON | ONU Register | On: Success to register to OLT Blinking: In process of registering to OLT; Off: In process of registering to OLT; |
| 5 | PWR | Power status | On: The ONU is power on; Off: The ONU is Power off; |

Specification

| Item | Parameter | |
|------------------------|-----------------------|---|
| Interface | PON Interface | 1 EPON optical interface Meet 1000BASE-PX20+ standard Symmetric 1.25Gbps upstream/downstream SC/UPC single-mode fiber split ratio: 1:64 Transmission distance 20KM |
| | Ethernet Interface | 4*10/100/1000M auto-negotiation Full/half duplex mode RJ45 connector Auto MDI/MDI-X 100m distance |
| | Power Interface | 12V DC Power supply |
| Performance Parameters | PON Optical Parameter | Wavelength: Tx 1310nm, Rx1490nm Tx Optical Power: 0~4dBm Rx Sensitivity: -27dBm Saturation Optical Power: -3dBm |

| | | |
|---------------------------|------------------------------|---|
| | Data Transmission Parameter | PON Throughput: Downstream 980Mbps; Upstream 950Mbps Ethernet: 1000Mbps Packet Loss Ratio: 1×10^{-12} latency: <math>< 1.5\text{ms}</math> |
| Network Management | Management Mode | QAM, TR069, WEB, Telnet |
| | Management Function | Status monitor, Configuration management, Alarm management, Log management |
| Physical Features | Power | External 12V DC/1A power supply adapter Power consumption: <math>< 7\text{W}</math> |
| | Physical Specifications | Item Dimension: 160mm(L)*139.5mm(W)*28.5mm(H) Item Net Weight: about 239g |
| | Environmental Specifications | Operating temperature: 0 to 40°C Operating humidity: 10% to 90%(Non-condensing) |

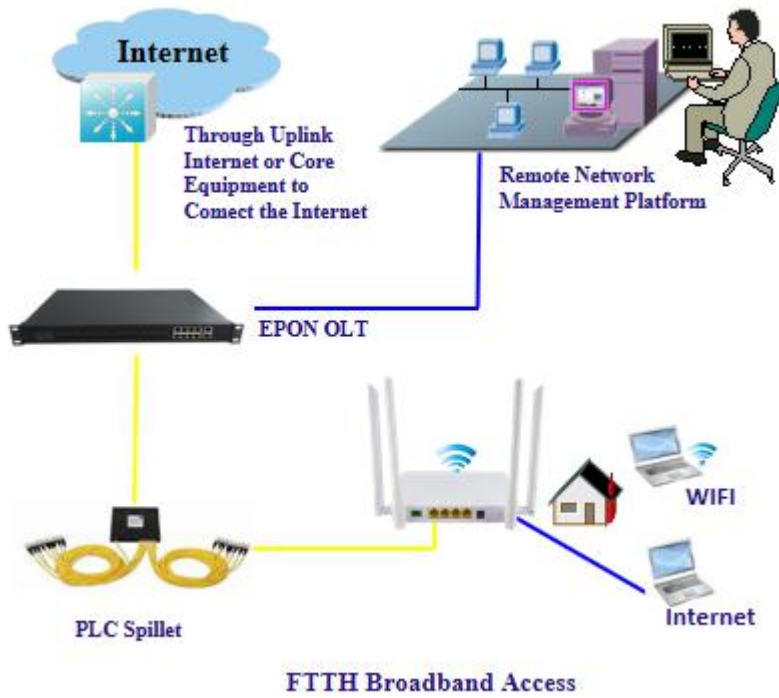
WIFI Features

- Comply with IEEE 802.11a/b/g/n/ac protocol standard, support 2.4GHz and 5GHz
- There are four external antennas
- 5dBi antenna gain
- Maximum ideal rate up to 1.2Gbps
- 2.4GHz supports 2*2 MIMO (Multiple-Input Multiple-Output) technology
- 5GHz supports 2*2 MIMO (Multiple-Input Multiple-Output) technology
- Support 8 SSIDs
- Support wider RF bandwidth, up to 80MHz
- Support higher 256-QAM modulation mode
- Support MIMO-OFDM encoding mode
- Support wireless security of 64/128 bit WEP、802.1x、WPA and WPA2

Network Application

Typical Solution: FTTH

Typical Business: INTERNET, WIFI



Ordering Information

| Product Name | Product Model | Descriptions |
|-------------------------|-----------------|---|
| Dual-Band data type ONU | FD504GW-DE-Z410 | 4*10/100/1000M Ethernet interface, support dual-band WIFI function, 1 EPON interface, plastic casing, external power supply adapter |