

FD511G-E-Z310 1GE Data Type ONU



Overview

FD511G-E-Z310 data type ONU is one of the EPON optical network unit design to meet the requirement of the broadband access network. It apply in FTTH/FTTO to provide the data and video service based on the EPON network.

EPON is the latest generations of access network technology. IEEE802.3ah is the standard protocol of EPON. The EPON standard differs from other PON standards in that it achieves higher bandwidth and higher efficiency using larger, variable-length packets. EPON offers efficient packaging of user traffic, with frame segmentation allowing higher quality of service (QOS) for delay-sensitive voice and video communications traffic. EPON networks provides the reliability and performance expected for business services and provides an attractive way to deliver residential services. EPON enables Fiber To The Home (FTTH) deployments economically resulting to accelerated growth worldwide.

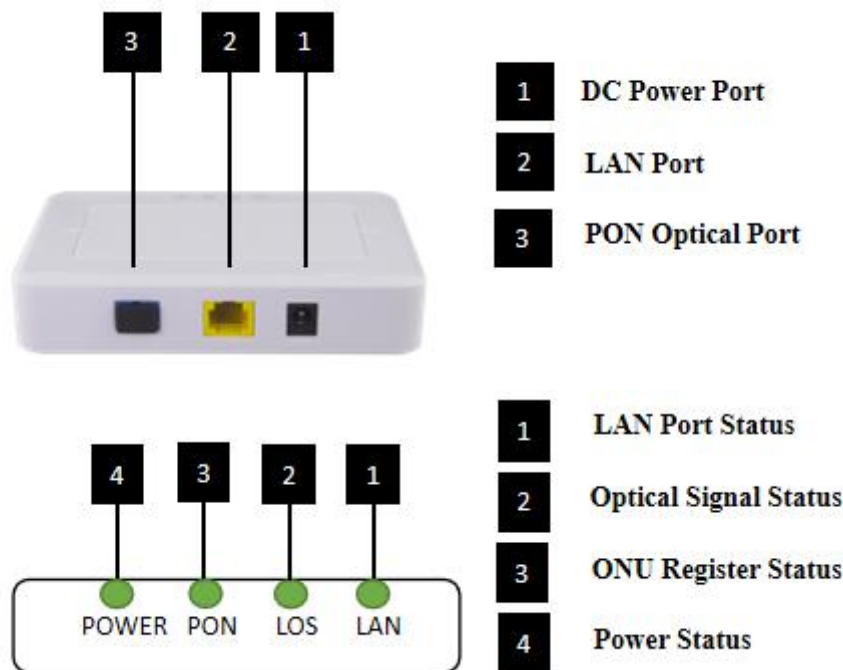
The FD511G-E-Z310 provides one 10/100/1000Mbps auto-adapting Ethernet port. The FD511G-E-Z310 features high-performance forwarding capabilities to ensure excellent experience with Internet and HD video services. Therefore, the FD511G-E-Z310 provides a perfect terminal solution and future-oriented service supporting capabilities for FTTH deployment. It has good third-party compatibility to work with the third party OLT, such as Huawei/ZTE/Fiberhome/Alcatel-Lucent.

Features

- Full compatible with IEEE802.3ah
- Support ONU auto-discovery/Link detection/remote upgrade of software
- Support MAC and LOID+Password multiple registration methods

- Support port VLAN configuration
- Support mac-address learning
- Support port-based rate limitation and bandwidth control
- Support port flow-control
- Support broadcasting storm resistance function
- Support igmp transparent/snooping/proxy mode
- Support remote management configuration
- Support Dynamic Bandwidth Allocation (DBA)
- Support Triple Churning algorithm encryption and decryption
- Support three layer routing function
- EMS network management based on SNMP ,convenient for maintenance
- Support power-off alarm function ,easy for link problem detection

Product Interface and LED Definitions



Indicator			Description
1	PWR	Power status	On: The ONU is power on; Off: The ONU is Power off;
2	PON	ONU Register	On: Success to register to OLT; Blinking: In process of registering to OLT; Off: In process of registering to OLT;
3	LOS	EPON optical signals	Blinking: Optical power lower than receiver sensitivity ; Off: Optical in normal
4	LAN	LAN port status	On: Ethernet connection is normal; Blinking: Data is being transmitted through the Ethernet port; Off: Ethernet connection is not set up;



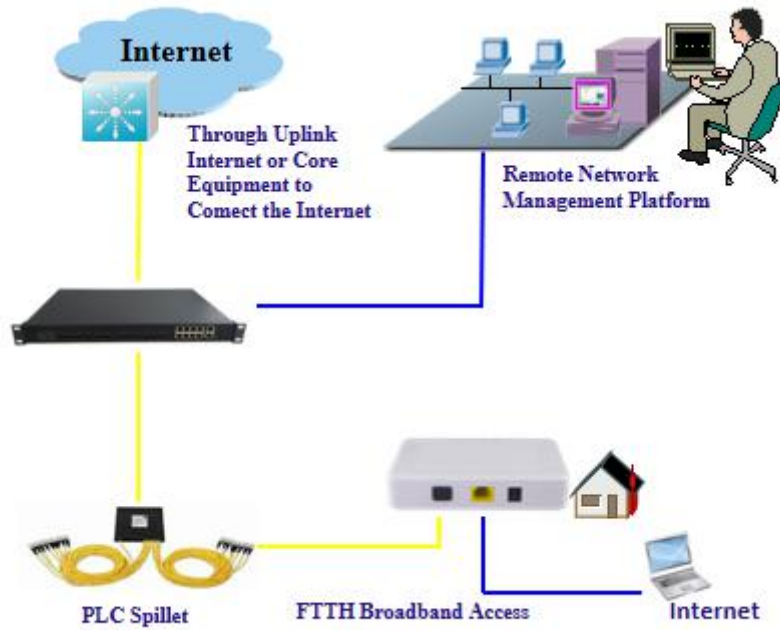
Specification

Item	Parameters	Specification
Interface	PON Interface	1 EPON optical interface Meet 1000BASE-PX20+ standard Symmetric 1.25Gbps upstream/downstream SC/UPC single-mode fiber split ratio: 1:64 Transmission distance 20KM
	Ethernet Interface	1*10/100/1000M auto-negotiation Full Duplex / Half-Duplex RJ45 connector Auto MDI/MDI-X Transmission Distance 100 Meter
	Power Interface	12V DC supply power
Performance Parameters	PON Optical Parameter	Wavelength: Tx 1310nm, Rx1490nm Tx Optical Power: 0~4dBm Rx Sensitivity: -27dBm Saturation Optical Power: -3dBm
	Data Transmission Parameter	PON Throughput: Downstream 980Mbps; Upstream 950Mbps Ethernet: 1000Mbps Packet Loss Ratio: <1*10E-12 latency: <1.5ms
Network Management	Network Management	QAM, WEB, Telnet
	Management Function	Status monitor, Configuration management, Alarm management, Log management
Environmental Specifications	Power	External 12V/0.5A DC power supply adapter Power consumption: <3W
	Dimensions	Item Dimension: 125mm(L) x80mm(W) x28mm (H) Item Net Weight: about 106g
	Environment	Operating Temperature: 0~40°C Operating Humidity: 10%~90%(Non-condensing)



Network Application

- ◇ Solution: FTTH
- ◇ Business: Broadband Internet



Ordering Information

Product Name	Product Model	Descriptions
1GE Data Type	FD511G-E-Z310	1*10/100/1000M Ethernet interface, 1 EPON interface, plastic casing, external power supply adapter