

FD804XW-E-Z710 Triple Play WIFI ONU



Brief Views

FD804XW-E-Z710 is an indoor fiber broadband access terminal. It can be used in connection with our company FD11 / 12 series EPON OLT. It can also interconnect with the mainstream manufacture (Huawei / ZTE / Fiberhome) EPON OLT to provide users with Internet, VOIP and CATV services based on EPON technology. The device performance and functions also meet IEEE802.3ah technical specifications.

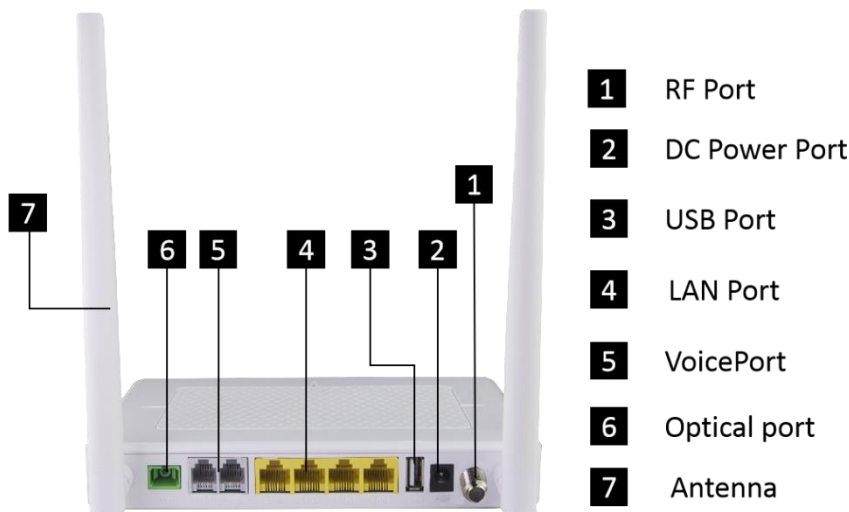
FD804XW-E-Z710 integrates wireless function which meets 802.11 b/g/n technical standards. It has two external high gain omnidirectional antennas and wireless transmission rate up to 300Mbps. It has the characteristics of strong penetrating power and wide coverage. It can provide users with more efficient data transmission security.

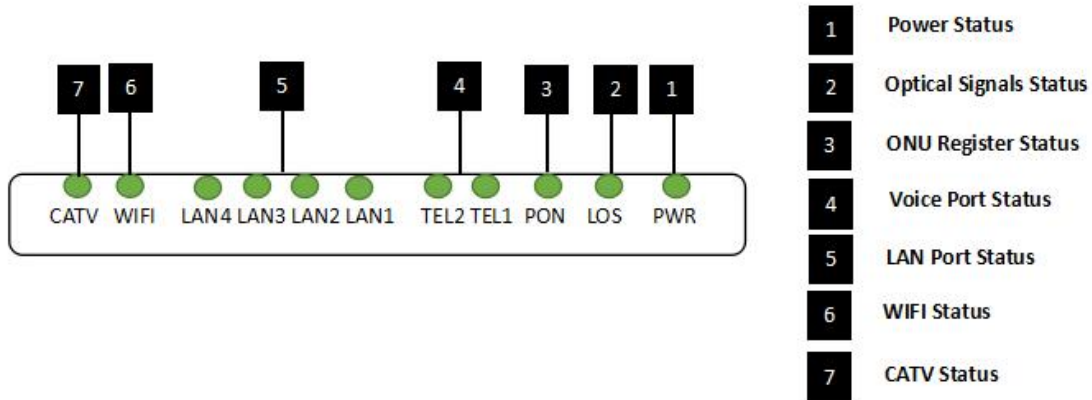
With support for IPv6 / IPv4 Dual Stack function, the FD804XW-E-Z710 helps operators and end users to achieve IPv6-based network with smooth evolution. This will create more business space for operators and bring future-oriented digital life to users.

Functional Feature

- Single-fiber access, provide Internet, voice, CATV and WIFI multiple services
- In compliant with IEEE802.3ah Standard
- Support ONU auto-discovery/Link detection/remote upgrade of software
- Meet 802.11 b/g/n technical standards
- Support VLAN transparent, tag configuration
- Support multicast function
- Support DHCP/Static/PPPOE internet mode
- Support port-binding
- Support OAM+TR069 remote management
- Support data encryption and decryption function
- Support Dynamic Bandwidth Allocation (DBA)
- Support MAC filter and URL access control
- Support remote CATV port management
- Support H.248 and SIP protocol
- Support power-off alarm function ,easy for link problem detection
- Specialized design for system breakdown prevention to maintain stable system
- EMS network management based on SNMP ,convenient for maintenance

Product Interface and LED Definitions





Indicator		Description	
1	PWR	Power status	On: The ONT is power on; Off: The ONT is Power off;
2	LOS	EPON optical signals	On: Optical power lower than receiver sensitivity ; Off: Optical in normal
3	PON	ONT Register	On: Success to register to OLT; Blinking: In process of registering to OLT; Off: In process of registering to OLT;
4	TEL1-2	Telephone port status	On :The connection between the TEL port and the voice server has been set up Blinking : The voice service of the TEL port is established; Off: The connection between the TEL port and the voice server is not set up.
5	LAN1-4	LAN port status	On: Ethernet connection is normal; Blinking: Data is being transmitted through the Ethernet port; Off: Ethernet connection is not set up;
6	WIFI	WIFI	Blinking : Data is being transmitted On : WIFI function Opens
7	CATV	CATV status	On : CATV optical normal Off: The CATV signals are not received

Specification

Item		Parameter
Interface	PON Interface	1 EPON optical interface Meet 1000BASE-PX20+ standard Symmetric 1.25Gbps upstream/downstream SC/APC single-mode fiber split ratio: 1:64 Transmission distance 20KM
	CATV Interface	1 RF output F-Type Connector
	POTS Port	2*RJ11 Max 1km distance Balanced Ring, 50V RMS
	Ethernet Interface	1*10/100/1000M and 3*10/100M Ethernet ports

		Full/half duplex mode RJ45 connector Auto MDI/MDI-X 100m distance
	USB Interface	1*USB 2.0 interface Transmission Rate: 480Mbps
	Power Interface	12V DC Power supply
Performance Parameters	PON Optical Parameter	Wavelength: Tx 1310nm, Rx1490nm Tx Optical Power: 0~4dBm Rx Sensitivity: -27dBm Saturation Optical Power: -3dBm
	Data Transmission Parameter	PON Throughput: Downstream 980Mbps; Upstream 950Mbps Ethernet: 1000Mbps or 100Mbps Packet Loss Ratio: <1*10E-12 latency: <1.5ms
Network Management	Management Mode	QAM, TR069, WEB, Telnet
	Management Function	Status monitor, Configuration management, Alarm management, Log management
Physical Features	Power	External 12VDC/1A power supply adapter Power consumption: <9.5W
	Physical Specifications	Item Dimension: 240mm(L) x 240mm(W) x 24mm (H) Item Net Weight: about 308g
	Environmental Specifications	Operating temperature: 0 to 40°C Operating humidity: 10% to 90%(Non-condensing)



WIFI Features

Item	Parameter	
Performance parameters	Operating Mode	Router or bridge
	Antenna gain	5dBi
	WIFI antenna	2 external antennas
	Throughput	IEEE 802.11b: 11Mbps IEEE 802.11g: 54 Mbps IEEE 802.11n: 300Mbps
	Frequency	2.412 ~ 2.472 GHz
	Channel	13*Channel, configurable to meet the standard of USA, Canada, Japan and China
	Modulation	DSSS , CCK and OFDM
	Coding	BPSK, QPSK, 16QAM and 64QAM

	Receive sensitivity	802.11b: -83dBm @ 1 Mbps; -79dBm @ 5.5 Mbps; -76dBm @ 11 Mbps 802.11g: -85dBm @ 6 Mbps; -77dBm @ 24 Mbps; -68dBm @ 54 Mbps; 802.11n HT20: -85dBm @ MCS0; -73dBm @ MCS4; -67dBm @ MCS7 802.11n HT40: -82dBm @ MCS0; -70dBm @ MCS4; -64dBm @ MCS7
	TX power	802.11b: 19 ± 1dBm @ 1 Mbps 19±1dBm @ 5.5 Mbps; 18 ±1dBm @ 11 Mbps; 802.11g: 18 ± 1dBm @ 6 Mbps 17±1dBm @ 24 Mbps; 16 ±1dBm @ 54 Mbps; 802.11n HT20: 17 ± 1dBm @ MCS0; 16 ± 1dBm @ MCS4 ; 15 ± 1dBm @ MCS7 802.11n HT40: 17 ± 1dBm @ MCS0; 16 ± 1dBm @ MCS4 ; 15 ± 1dBm @ MCS7
	Encryption Mode	802.11i security: WEP-64/128, TKIP (WPA-PSK) and AES (WPA2-PSK)



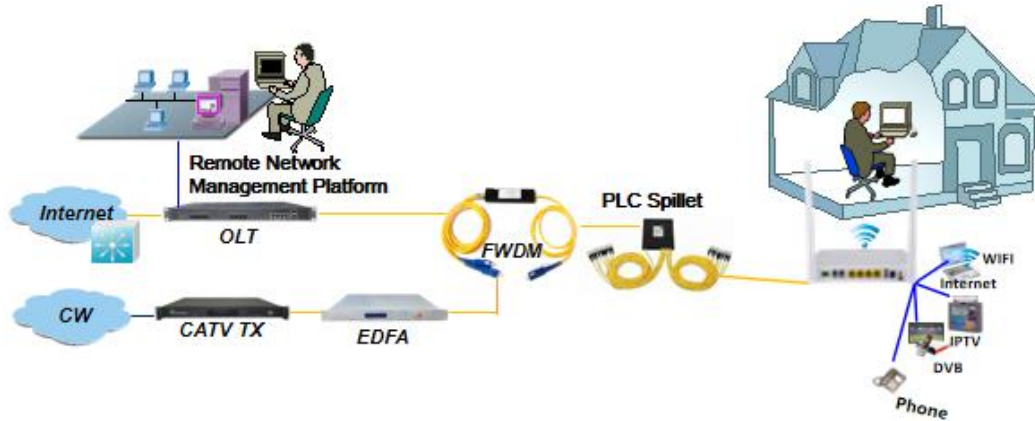
Item	Parameter
Wavelength	1550nm
Optical return loss	>45dB
Input optical power	-15dBm~+2dBm
RF frequency	47MHz~1000MHz
RF output lever	≥65dBuV (@-12dBm@85MHz)
Flatness	<±1.5db
CNR	≥42dB (@-10dBm@DS22 Channel)
CSO	≤-60dBc (@-10dBm@DS22 Channel)
CTB	≤-65dBc (@-10dBm@DS22 Channel)

RF output return loss	>10dB
RF impedance	75Ω

Network Application

Typical Solution: FTTH, FTTO

Typical Business: Internet, IPTV, CATV, Voice, WIFI



Ordering Information

Product Name	Product Model	Descriptions
Triple-play ONU	FD804XW-E-Z710	1*10/100/1000M and 3*10/100M Ethernet interface, 1 EPON interface, 2 POTS interface, 1 USB interface, built-in FWDM, 1 RF interface, support WIFI function, plastic casing, external power supply adapter