

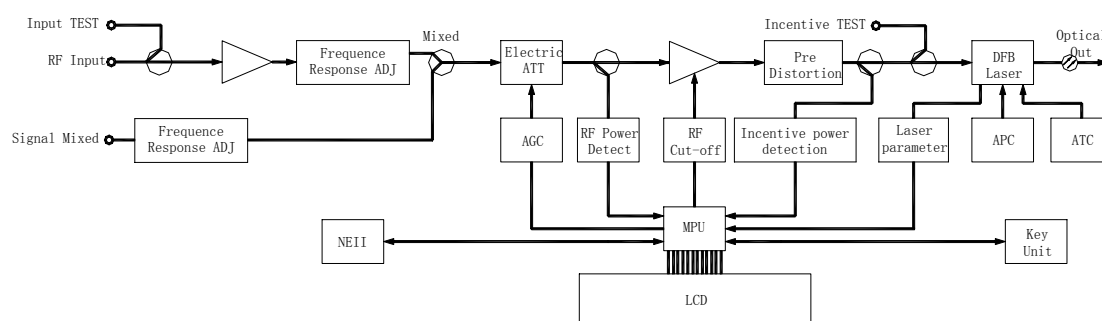
1310nm Optical Transmitter



Features

- Self-owned patent of distortion correcting circuit
- High quality, high linearity DFB laser module with good link performance
- Switchable AGC function and MGC function, support webmaster remote control
- With LCD screen showing wording parameters, visualized and convenient for using and debugging
- Adopt sound-light alarm, easy for user to achieve on-site supervision and management
- Two options for national standard webmaster transponder, which is convenient for user to maintain and manage remotely

Schematic Diagram



Specification

Optical Parameter	
Optical Wavelength	1310±20nm
Optical Connector	FC/APC 或 SC/APC
Optical Reflection Loss	>45.0dB
Optical output power	10/14/16/20mw
RF Parameter	
RF Band	47~862/1000 MHz
RF Input level	75.0(±3)dB
Level Difference of Narrow-Band port and Main Port	8~20.0dB (Optional)
Nominal RF Input Impedance	75Ω
RF Input Reflection Loss	≥16dB (47~550MHz) ≥14dB (550~1000MHz)
Flatness	±0.75dB
Input Level Detection	-20±1dB
Drive Level Detection	-20±1dB
Link Parameter	
C/N	≥51.0 dB
CSO	≥60.0 dB
CTB	≥65.0 dB
General Parameter	
Power Supply	AC: 100~240V
Power Consumption	30W
Working Temperature	-5℃~45℃
Storage Temperature	-25℃~+65℃
Size (Length x Width x Height)	483mm×320mm×44mm
Reference Net Weight	4Kg