

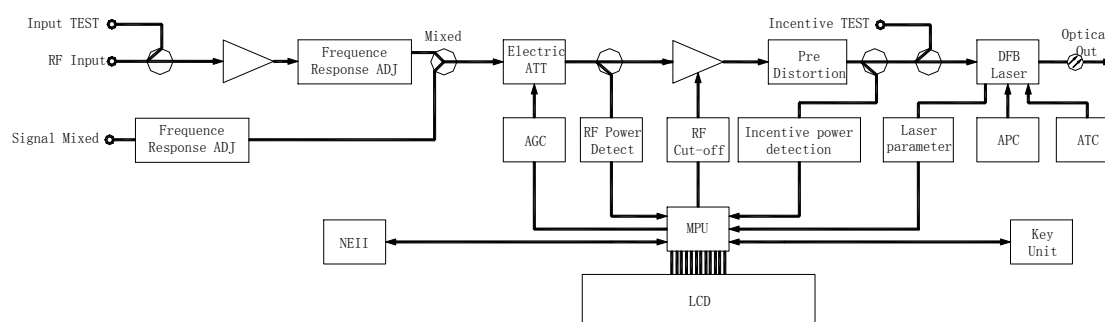
# 1550nm Optical Transmitter



## Features

- Switchable AGC function and MGC function, alternative usage for user
- Two options for national standard webmaster transponder, support remote monitoring and control management for network
- Output optical power can be adjusted manually(0~3dB)
- LCD real-time displays working parameters, support sound-light alarm, convenient for on-site using and maintain

## Schematic Diagram



## Specification

Optical Parameter	
Optical Wavelength	1528~1563nm (ITU-T)
Optical Connector	FC/APC or SC/APC
Optical Reflection Loss	>45.0dB
Optical output power	10mw
RF Parameter	
RF Band	47~860 /1000MHz
RF Input level	75±3dBuV
Level Difference of Narrow-Band port and Main Port	8~20dB (Optional)
Nominal RF Input Impedance	75Ω
RF Input Reflection Loss	≥16dB (47~550MHz) ≥14dB (550~1000MHz)
Flatness	≤±0.75dB
Input Level Detection	-20dB±1dB
Link Parameter	
C/N	≥50.0 dB
CSO	≥48.0 dB
CTB	≥65.0 dB
MER	≥36 dB
General Parameter	
Power Supply	AC: 100~240V
Power Consumption	30W
Working Temperature	-5℃~45℃
Storage Temperature	-25℃~+65℃
Size (Length x Width x Height)	483mm×320mm×44mm
Reference Net Weight	4Kg

Remark 1. It is estimated that link loss is the sum of 10km fiber loss and passive loss, receiving optical power is 0dBm, test under the condition of loading 59 PAL-D TV channels regardless of distortion of receiver

2. It is estimated that link loss is the sum of 20km single mode fiber loss and passive loss, receiving optical power is 0dBm, test under the condition of loading 16 64AM

signal channels