

HF3915C-B2 1550nm Erbium-Ytterbium-Doped Fiber Amplifier



Product Overview

HF3915C-B2 is new generation Er Yb co-doped optical fiber amplifier. It can provide up to 40dBm total optical with multiple ports in a 2U rack. 1310/1490/1550 WDM for 1550nm CATV overlay PON system is optional. It is designed for large-scale distribution of broadband CATV video , or video overlay in a FTTH PON system.

Features

- Single/dual input for choice, built in optical switch for dual input, the switching power can be set by the button in the front panel or by web SNMP , the optical switch can be set to the threshold and manual/automatic selection.
- Output port quantity is optional, support 8, 16 ,32
- Output adjustable by buttons in the front panel or web SNMP, the range is -6dBm~0dBm.
- Maintenance function of one-time downward attenuation of 6dBm by buttons in the front panel or web SNMP, to facilitate the optical fiber hot-plug operation without turn off the device.
- Built in 1310/1490/1550WDM,the max output power is 40dBm.
- Standard RJ45 port for remote control, we can provide output contract and web manager for choice, and also plug-in SNMP hardware can be reserved for update.
- Set the parameter of the devices by web.
- With laser key to turn on/off the laser.
- With RF test function in the front panel, output level is 85dBuV.

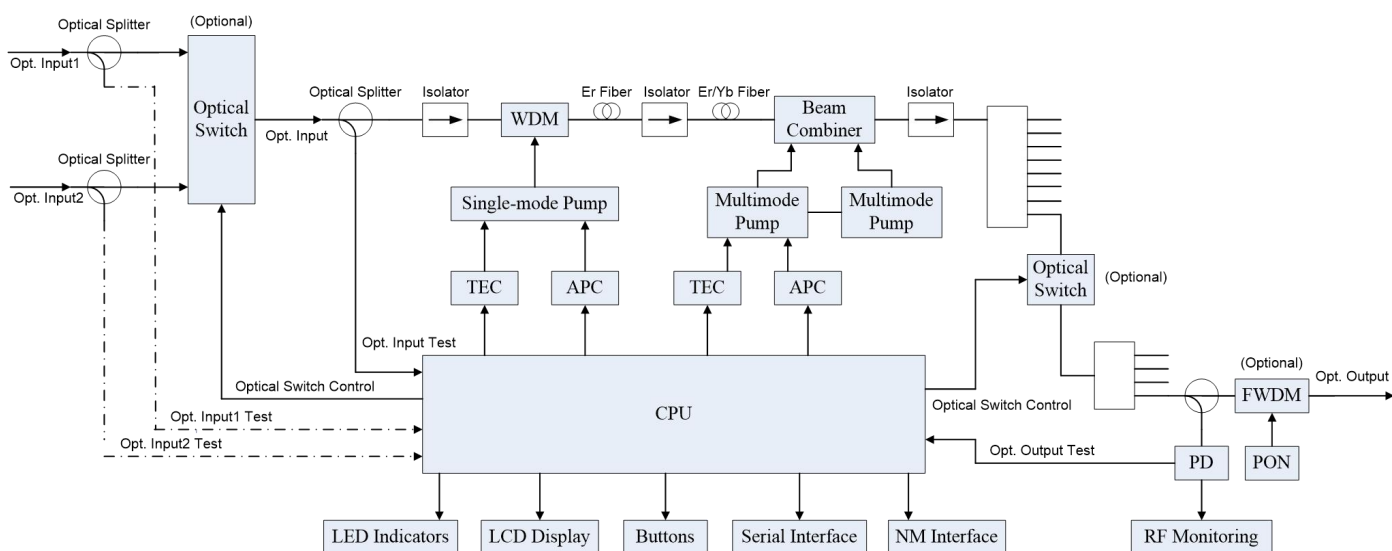
- Adopts America JDSU or Oclaro Pump laser.
- Front panel Led displays the working condition of the machine and the fault warning.
- Dual power hot plug power supply for choice, 220V(85V~264V)AC or 48V(30V~72V)DC.

Diagram

- Module structure illustration:



- Schematic:



Parameters

Items	Specifications	
Optical Output Power(dBm)	28 ~ 40	
CATV Optical Input Power Range(dBm)	-10 ~ +10	
Optical Output Power Adjustable Range(dB)	-6 ~ 0	
CATV Wavelength(nm)	1540 ~ 1563	
PON Wavelength(nm)	Upstream	1260 ~ 1360
	Downstream	1480 ~ 1500
Optical Output Power Stability (dB)	-0.5 ~ +0.5	
Return Loss(dB)	≥45	
Optical Connector	CATV Input	SC/APC
	PON Input	SC/PC (LC/PC optional)
	COMMON Output	SC/APC (LC/APC optional)
Noise Figure (dB)	≤5.5 (0dBm optical input)	
Network Management interface	RJ45 interface(support Web and SNMP)	
Power Consumption(W)	≤80	
Power Supply	AC: 220V	85~264V(compatible with 110VAC)
	DC: 48V	30~72V
Temperature Range(°C)	Operating Temperature Range	-5 ~ +60
	Storage Temperature Range	-20 ~ +60
Storage Relative Humidity (%)	5~95(No condensation)	
Dimension (mm)	440(L)×270(W)×88(H)	
Device Net Weight (Kg)	≤6.0	

Order Information



XX: Number of EYDFA
output ports

YY: For example, 18,
each output 18dbm, and
so on

ZZ
Empty: default
W: With WDM function
WS: WDM + optical
switch
S: Optical switch