

MC1000 Transceiver Product



Product Description

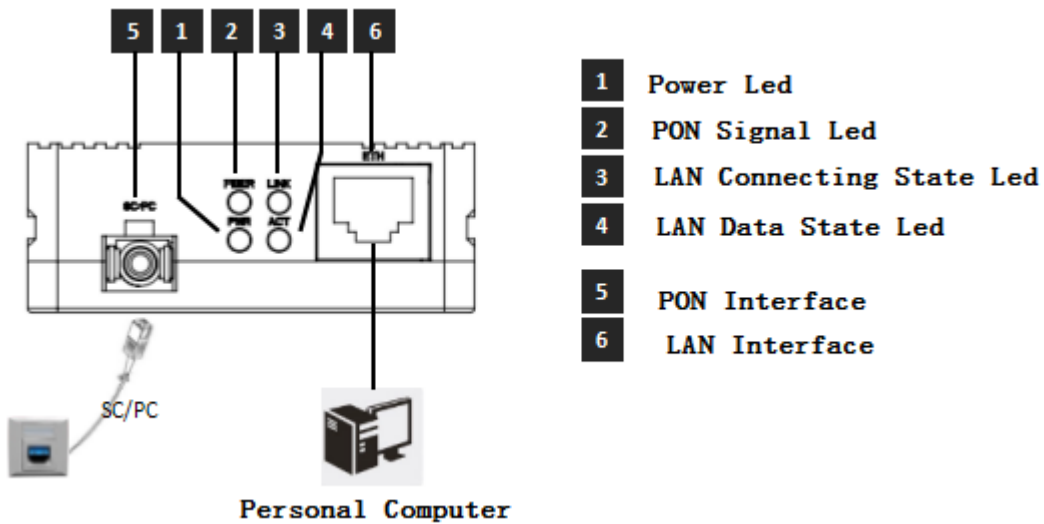
MC1000 is 1000M Ethernet fiber transceiver researched independently by our own company which can make the 1000Base-TX twisted pair electrical signal and 1000Base-FX fiber signal transform each other. MC1000 transceiver can not only be used as independent equipment but also can be installed on the framework using slide-way design as plug-in module for central apparatus room's network. The transceiver expands the transmitting distance of the internet from 100m to 160km. Its typical application is Ethernet distance interconnection. It can be connected with the switch which need not be configured. The equipment enclosure be used a personalized and multi-contour cooling vents design. It have the features that simplicity, fashion, steady, impact resistance, high-temperature, good heat dissipation effect using the recycled materials, providing the safer online support for user.

Function Features

- Supporting IEEE802.3u.1000BASE-T and 1000BASE-FL protocol
- Supporting 1000M full-duplex mode
- SMF, transmission distance up to 160km
- Automatic identification MDI/MDI-X crossed lines and parallel lines
- Central Office can be used alone, rack and support heat plug

- The complete status of the led indication
- The less heat of the machine, stable and reliable performance

Product Interface And LED Definition



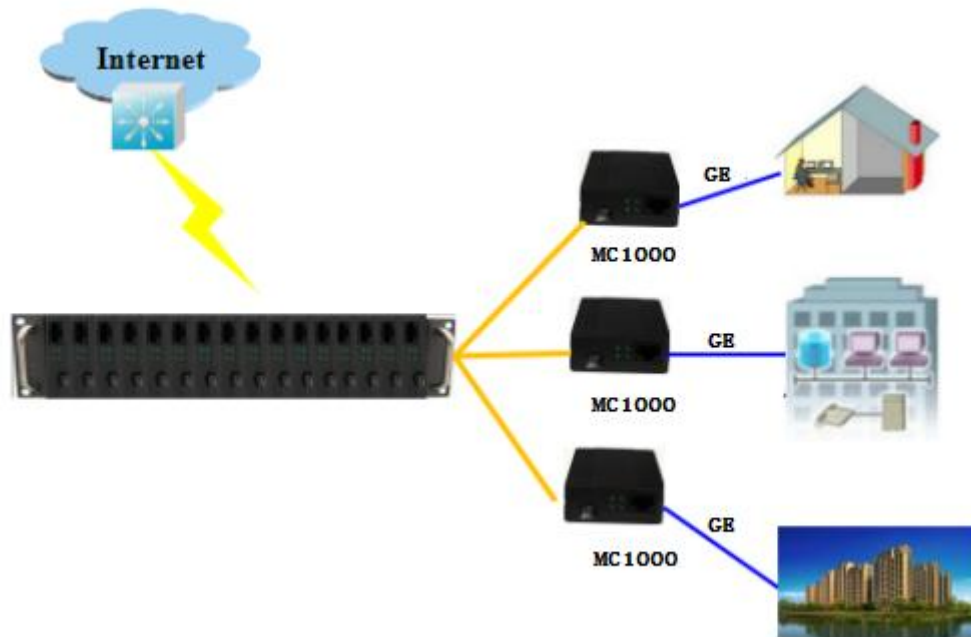
Indicator			Description
1	PWR	Power indicator	On: Equipment power supply normally Off: Equipment power supply abnormally
2	Fiber	Optical signal indicator	On: Port connected properly but no data transfer Blinking: Port connected properly and data transfer Off: Port not connected or port connected abnormally
3	Link	Network port status indicator	On: Port connected properly but no data transfer Off: Port not connected or port connected abnormally
4	ACT	Network port status indicator	On: Port connected properly but no data transfer Blinking: Port connected properly and data transfer Off: ports Port connected or port connected abnormally

Specification

Items	parameter	Specifications
Interface	Optical interface	Symmetric 1.25Gbps upstream/downstream SC/UPC single-mode fiber Transmission distance 20KM
	User interface	1*GE Ethernet ports Full Duplex RJ45 , Auto-MDI/MDI-X Transmission distance 100 Meter
	Power interface	5V DC input
Performance Specification	Optical performance	Central office wavelength : Tx 1310nm , Rx 1490nm Remote wavelength:Tx 1550nm , Rx 1310nm Tx Optical Power : -2~-8dBm Rx sensitivity : -26dBm
	Data transmission performance	Packet Loss Ratio : <1*10E-12 latency : <1ms
Physical Performance	Shell	Black plastic case
	Dimensions	size : 90mm(L) x 60mm(W) x 25mm (H) weight : 0.1kg
	Environment	Operating temperature : -10 ~ 60°C Storage temperature : -20 ~ 70°C Operating Humidity : 5% ~ 90% non-condensing Storage Humidity : 10% ~ 90% non-condensing
Power	Power dissipation	< 3W
	Power supply	DC 5V/1A

Application

◇ Business : Broadband Internet 、 Building Network 、 Plot Network



MC1000 Application View

+ Ordering information

Product name	Product type	Product description
1000M Transceiver	MC1000-B3520B-SC	A 1000M TX1310/RX1550 fiber port , transmission distance 20km 1*GE Ethernet interface,plastic casing,external power supply adapter
1000M Transceiver	MC1000-B5320B-SC	A 1000M TX1550/RX1310 fiber port,distance 20km 1*GE Ethernet interface,plastic casing,external power supply adapter