

FD511GW-X-R310 1GE+WIFI Dual-Mode ONU



Brief Views

FD511GW-X-R310 dual-mode ONU supports EPON and GPON two modes access. The ONU automatically switches into the corresponding PON mode by identifying the local OLT mode to complete GPON or EPON adaptive access.

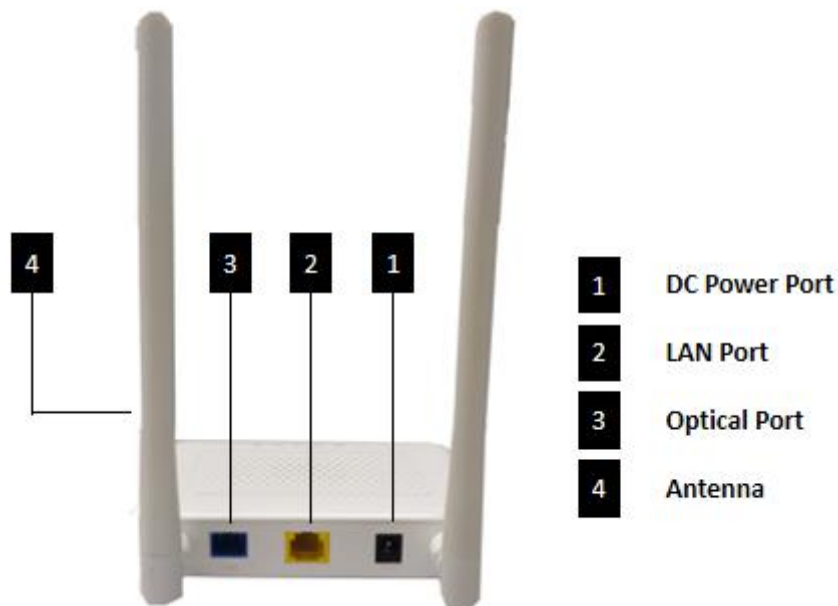
FD511GW-X-R310 have a high reliability and provide quality of service guarantee, easy management, flexible expansion and networking. It fully meets the ITU-T and IEEE technical standards and have good compatibility with third party OLT.

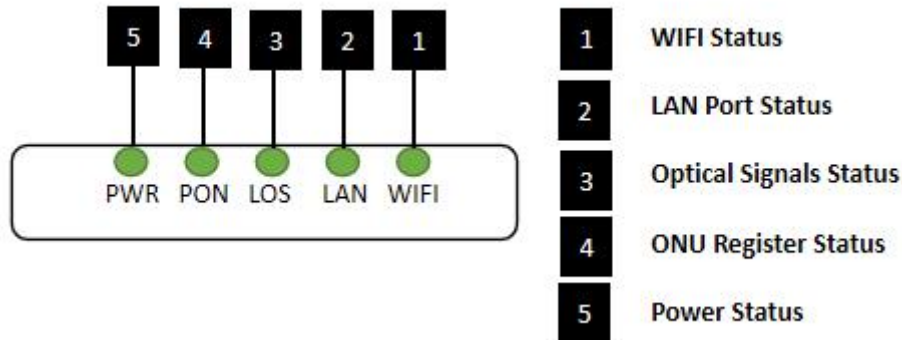
FD511GW-X-R310 integrates wireless function which meets 802.11 b/g/n technical standards. It has two external high gain omnidirectional antennas, the wireless transmission rate up to 300Mbps. It has the characteristics of strong penetrating power and wide coverage. It can provide users with more efficient data transmission security.

Functional Feature

- In compliant with IEEE802.3ah and ITU - T G.984 standard
- Support ONU auto-discovery/Link detection/remote upgrade of software
- Meet 802.11 b/g/n technical standards
- Support VLAN transparent, tag configuration
- Support multicast function
- Support DHCP/Static/PPPOE internet mode
- Support port-binding
- Support OAM/OMCI+TR069 remote management
- Support data encryption and decryption function
- Support Dynamic Bandwidth Allocation (DBA)
- Support MAC filter and URL access control
- Support power-off alarm function ,easy for link problem detection
- Specialized design for system breakdown prevention to maintain stable system
- EMS network management based on SNMP ,convenient for maintenance

Product Interface and LED Definitions





Indicator			Description
1	WIFI	WIFI	Blinking: Data is being transmitted On: WIFI function Open Off: WIFI function Close
2	LAN	LAN Port status	On: Ethernet connection is normal; Blinking: Data is being transmitted through the Ethernet port; Off: Ethernet connection is not set up;
3	LOS	PON optical signals	On: Optical power lower than receiver sensitivity ; Off: Optical in normal
4	PON	ONT Register	On: Success to register to OLT Blinking: In process of registering to OLT; Off: In process of registering to OLT;
5	PWR	Power status	On: The ONU is power on; Off: The ONU is Power off;

Specification

Item	Parameter
Interface	EPON/GPON Interface SC/UPC single mode single fiber GPON: FSAN G.984.2 standard, Class B+ EPON: 1000BASE-PX20+ symmetric GPON: 2.488Gbps/1.244Gbps downstream/upstream EPON: 1.25Gbps downstream/upstream Wavelength: Transmit: 1310nm Receiver: 1490nm Receiving sensitivity : GPON: -28dBm EPON: -27dBm Saturated power : GPON: -8dBm EPON: -3dBm Transmitting power : GPON: 0.5~5dBm EPON:0~4dBm
	Ethernet Interface 1*10/100/1000M auto-negotiation Full/half duplex mode RJ45 connector Auto MDI/MDI-X 100m distance

	Power Interface	12V DC Power supply
Network Management	Management Mode	OMCI, OAM, TR069, WEB, Telnet
	Management Function	Status monitor, Configuration management, Alarm management, Log management
Physical Features	Power	<4W, 12V/0.5A power supply adapter
	Physical Specifications	Item Dimension: 228mm(L) x108mm(W) x 28mm (H) Item Net Weight: about 136g
	Environmental Specifications	Operating temperature: 0 to 40° C Operating humidity: 10% to 90%(Non-condensing)



WIFI Specification

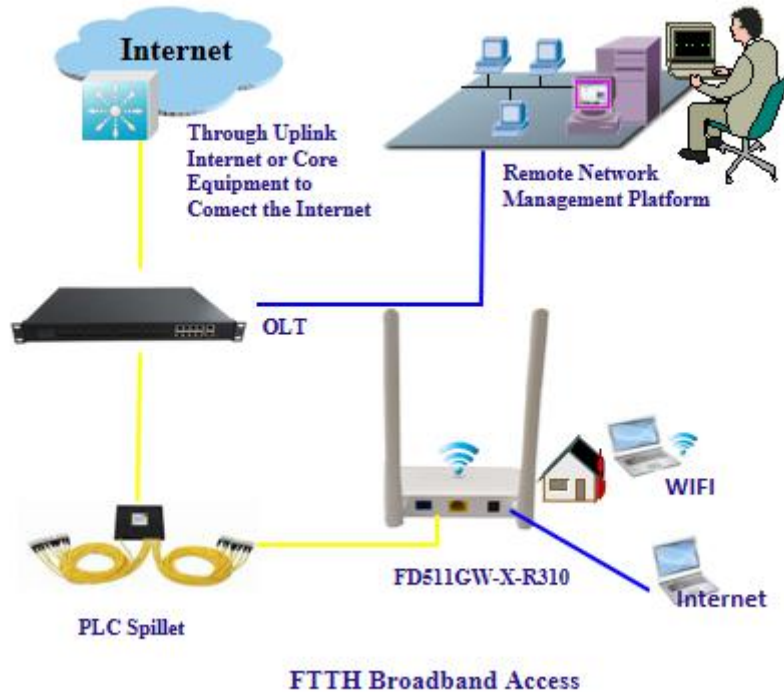
	Item	Parameter
Performance parameters	Operating Mode	Router or bridge
	Technical standard	IEEE802.11b/g/n
	Frequency	2.412 ~ 2.472 GHz
	Antenna gain	5dBi
	Support rate	802.11b: 1, 2, 5.5, 11Mbps 802.11g: 6, 9, 12, 24, 36, 48, 54Mbps 802.11n: max rate 300Mbps
	Channel	2.4GHz Channel: 1,2,3,4,5,6,7,8,9,10,11,12,13
	Modulation mode	11b: DSSS: DBPSK(1Mbps),DQPSK(2Mbps),CCK(5.5/11Mbps) 11g: OFDM:BPSK(6/9Mbps), QPSK(12/18Mbps),16QAM(24/36Mbps) Q64QAM(48/54Mbps) 11n: MIMO-OFDM:BPSK,QPSK,16QAM,64QAM
	Receive sensitivity	11Mbps: ≤-90dBm 54 Mbps: ≤-76dBm HT20 MCS7: ≤-73dBm HT40 MCS7: ≤-70dBm
	Transmit power	802.11n: 17dBm
	Encryption mode	AES, TKIP, WPA, WPA2, WPA-PSK/WPA2-PSK



Network Application

Typical Solution: FTTH

Typical Business: INTERNET,WIFI



Ordering Information

Product Name	Product Model	Descriptions
1GE+WIFI	FD511GW-X-R310	1*10/100/1000M Ethernet interface, 1 EPON/GPON adaptive interface, support 300Mbps WIFI, plastic casing, external power supply adapter