

FD602XW-X-Z410 1GE+1FE+1POTS+WIFI Dual-Mode ONU



Brief Views

FD602XW-X-Z410 dual-mode ONU supports EPON and GPON two modes access. The ONU automatically switches into the corresponding PON mode by identifying the local OLT mode to complete GPON or EPON adaptive access.

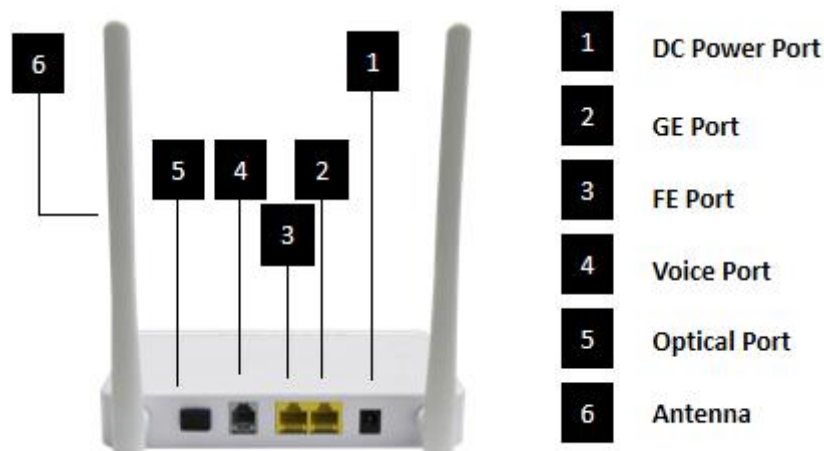
FD602XW-X-Z410 features high-performance forwarding capabilities to ensure excellent experience with VoIP, Internet and HD video services. It fully meets the ITU-T technical standards and have good compatibility with third party OLT. It provides a perfect terminal solution and future-oriented service supporting capabilities for FTTH deployment.

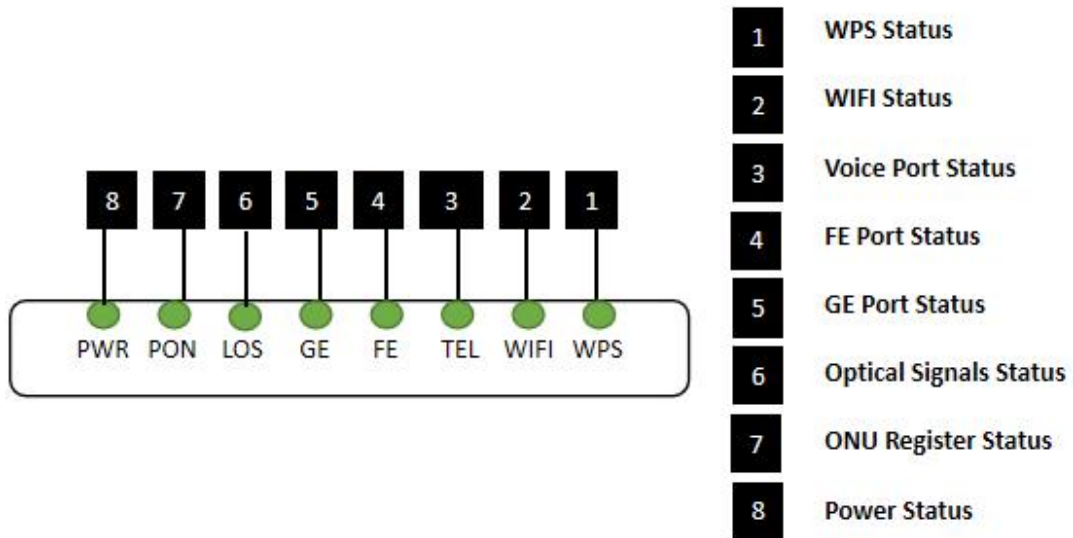
FD602XW-X-Z410 integrates wireless function which meets 802.11 b/g/n technical standards. It has two external high gain omnidirectional antennas, the wireless transmission rate up to 300Mbps. It has the characteristics of strong penetrating power and wide coverage. It can provide users with more efficient data transmission security.

Functional Feature

- In compliant with ITU-T G.984 and IEEE802.3ah standard
- Support ONU auto-discovery/Link detection/remote upgrade of software
- WIFI series meet 802.11 b/g/n technical standards
- Support VLAN transparent, tag configuration
- Support multicast Snooping/Proxy
- Support DHCP/Static/PPPOE internet mode
- Support port-binding
- Support OAM/OMCI+TR069 remote management
- Support data encryption and decryption function
- Support loop-detection function
- Support device-based speed limitation
- Support MAC filter and URL access control
- Support H.248 and SIP protocol
- Support power-off alarm function ,easy for link problem detection
- EMS network management based on SNMP ,convenient for maintenance

Product Interface and LED Definitions





Indicator			Description
1	WPS	WPS	Blinking: In the connected state, waiting for the device to access; Off: In the not onnected state;
2	WIFI	WIFI	Blinking: Data is being transmitted On: WIFI function Opens
3	TEL	Telephone port status	On: The connection between the TEL port and the voice server has been set up Blinking: The voice service of the TEL port is established; Off: The connection between the TEL port and the voice server is not set up.
4	FE	FE port status	On: Ethernet connection is normal; Blinking: Data is being transmitted through the Ethernet port; Off: Ethernet connection is not set up;
5	GE	GE port status	On: Ethernet connection is normal; Blinking: Data is being transmitted through the Ethernet port; Off: Ethernet connection is not set up;
6	LOS	XPON optical signals	On: Optical power lower than receiver sensitivity ; Off: Optical in normal
7	PON	ONT Register	On: Success to register to OLT; Blinking: In process of registering to OLT; Off: In process of registering to OLT;
8	PWR	Power status	On: The ONT is power on; Off: The ONT is Power off;


Specification

Item		Parameter
Interface	EPON/GPON Interface	SC/UPC single mode single fiber GPON: FSAN G.984.2 standard, Class B+ EPON: 1000BASE-PX20+ symmetric GPON: 2.488Gbps/1.244Gbps downstream/upstream EPON: 1.25Gbps downstream/upstream Wavelength: Transmit: 1310nm Receiver: 1490nm Receiving sensitivity : GPON: -28dBm EPON: -27dBm Saturated power : GPON: -8dBm EPON: -3dBm Transmitting power : GPON: 0.5~5dBm EPON:0~4dBm
	Ethernet Interface	1*10/100/1000M and 1*10/100M auto-negotiation Full/half duplex mode RJ45 connector Auto MDI/MDI-X 100m distance
	POTS Interface	1*RJ11 Max 1km distance Balanced Ring, 50V RMS
	Power Interface	12V DC Power supply
Network Management	Management Mode	OMCI, OAM, TR069, WEB, Telnet
	Management Function	Status monitor, Configuration management, Alarm management, Log management
Physical Features	Power	External 12V/0.6A DC power supply adapter Power consumption: <6.5W
	Dimension and Weight	Item Dimension: 160mm(L)*139.5mm(W)*28.5mm(H) Item Net Weight: about 300g
	Environment	Operating Temperature: 0~40℃ Operating Humidity: 10%~90%(Non-condensing)

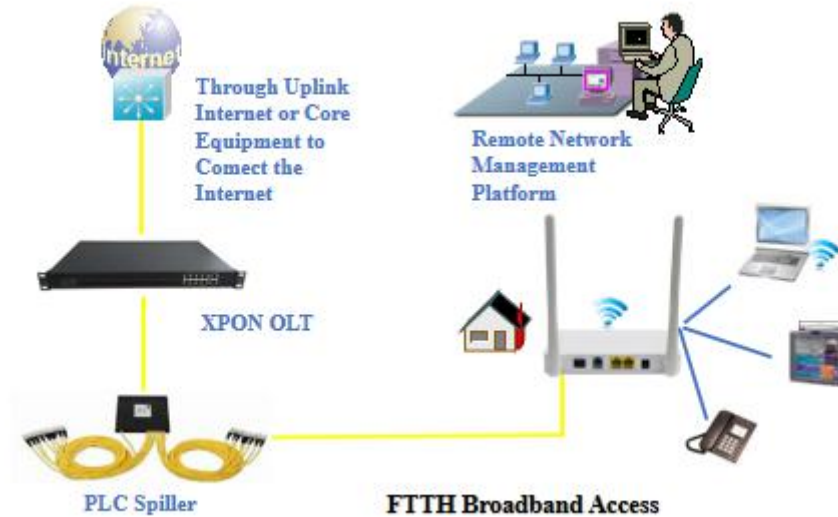

WIFI Specification

Item	Parameter	
Performance parameters	Operating Mode	Router or bridge
	Antenna gain	5dBi
	WIFI antenna	2 external antennas
	Throughput	IEEE 802.11b: 11Mbps IEEE 802.11g: 54 Mbps IEEE 802.11n: 300Mbps
	Frequency	2.412 ~ 2.472 GHz
	Channel	13*Channel, configurable to meet the standard of USA, Canada, Japan and China
	Modulation	DSSS , CCK and OFDM
	Coding	BPSK, QPSK, 16QAM and 64QAM
	Receive sensitivity	802.11b: -83dBm @ 1 Mbps; -79dBm @ 5.5 Mbps; -76dBm @ 11 Mbps 802.11g: -85dBm @ 6 Mbps; -77dBm @ 24 Mbps; -68dBm @ 54 Mbps; 802.11n HT20: -85dBm @ MCS0; -73dBm @ MCS4; -67dBm @ MCS7 802.11n HT40: -82dBm @ MCS0; -70dBm @ MCS4; -64dBm @ MCS7
	Output power	802.11b: 19 ± 1dBm @ 1 Mbps 19±1dBm @ 5.5 Mbps; 18 ±1dBm @ 11 Mbps; 802.11g: 18 ± 1dBm @ 6 Mbps 17±1dBm @ 24 Mbps; 16 ±1dBm @ 54 Mbps; 802.11n HT20: 17 ± 1dBm @ MCS0; 16 ± 1dBm @ MCS4 ; 15 ± 1dBm @ MCS7 802.11n HT40: 17 ± 1dBm @ MCS0; 16 ± 1dBm @ MCS4 ; 15 ± 1dBm @ MCS7
Encryption Mode	802.11i security: WEP-64/128, TKIP (WPA-PSK) and AES (WPA2-PSK)	

Network Application

Typical Solution: FTTH

Typical Business: INTERNET, Voice, WIFI



Ordering Information

Product Name	Product Model	Descriptions
1GE+1FE+1POTS+WIFI	FD602XW-X-Z410	1*10/100/1000M and 1*10/100M Ethernet interface, 1 EPON/GPON adaptive interface, 1 POTS interface, support 300Mbps WIFI, plastic casing, external power supply adapter