

FD604GW-DG-Z710 4GE+2POTS+Dual-Band WIFI ONU



Brief Views

FD604GW-DG-Z710 voice type ONU is one of the GPON optical network unit design to meet the requirement of the broadband access network. It apply in FTTH/FTTO to provide the data, voice and video service based on the GPON network.

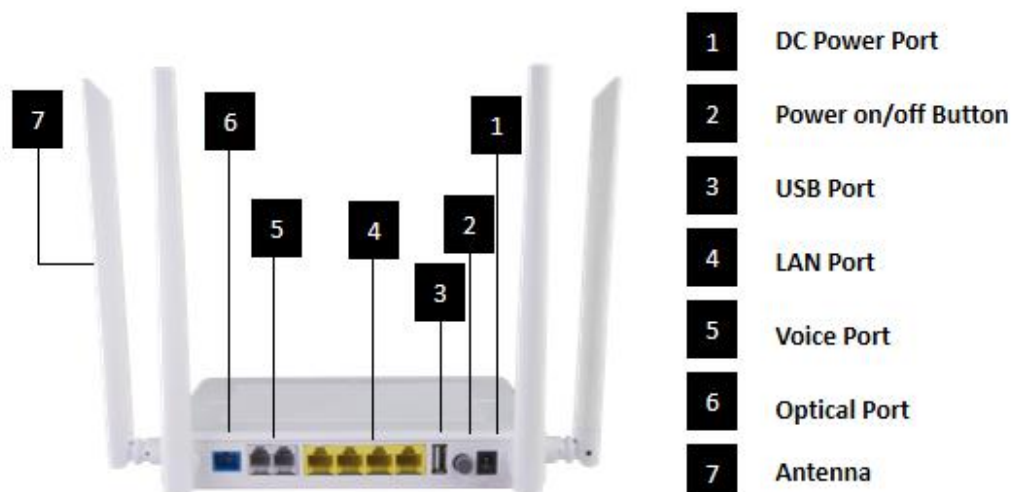
FD604GW-DG-Z710 features high-performance forwarding capabilities to ensure excellent experience with VoIP, Internet and HD video services. It has good compatibility to work with the third party OLT, such as Huawei/ZTE/Fiberhome/Alcatel-Lucent. It provides a perfect terminal solution and future-oriented service supporting capabilities for FTTH deployment.

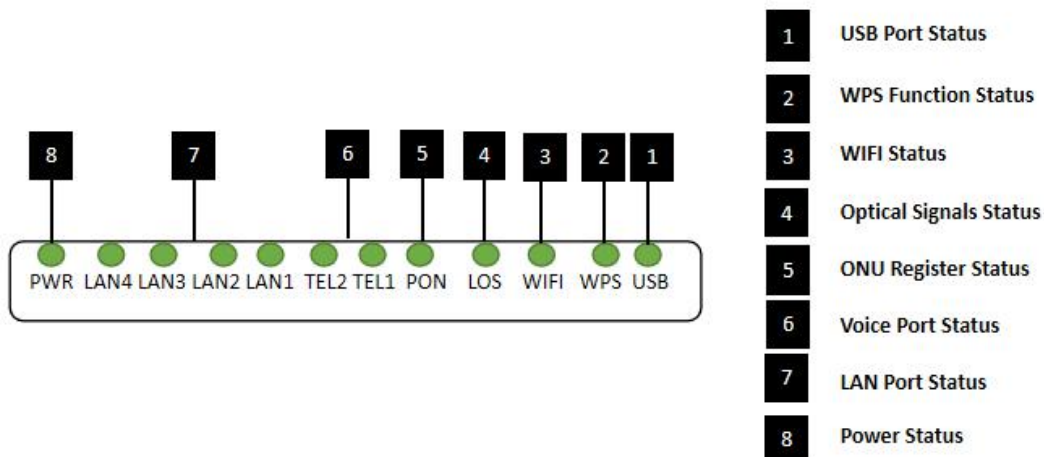
FD604GW-DG-Z710 integrates wireless function which meets 802.11 a/b/g/n/ac technical standards. At the same time, it also supports 2.4GHz/5GHz dual-band wireless signal. It has the characteristics of strong penetrating power and wide coverage. It can provide users with more efficient data transmission security.

Functional Feature

- In compliant with ITU - T G.984.1/2/3/4 standard
- Meet 802.11 a/b/g/n/ac WIFI technical standard
- Support ONU auto-discovery/Link detection/remote upgrade of software
- Support Ethernet line performance statistics function
- Support OMCI+TR069 management mode
- Support VLAN tag/untag
- Support multicast Snooping/Proxy
- Support DHCP/PPPOE/Static IP internet mode
- Support port binding
- Support loop-detection function
- Support device-based speed limitation
- Support MAC-address filter and URL access control
- Support H.248 and SIP protocol
- Support AES encryption and decryption
- Support Dynamic Bandwidth Allocation (DBA)
- Support ACL configure data packet filter flexibly
- EMS network management based on SNMP ,convenient for maintenance

Product Interface and LED Definitions





| Indicator | | | Description |
|-----------|--------|-----------------------|---|
| 1 | USB | USB port status | On: USB connection is normal; Off: USB connection is not set up; |
| 2 | WPS | WPS status | Blinking: In the connected state, waiting for the device to access; Off: In the not connected state; |
| 3 | WIFI | WIFI | Blinking: Data is being transmitted On: WIFI function Opens |
| 4 | LOS | GPON optical signals | On: Optical power lower than receiver sensitivity ; Off: Optical in normal |
| 5 | PON | ONU Register | On: Success to register to OLT; Blinking: In process of registering to OLT; Off: In process of registering to OLT; |
| 6 | TEL1-2 | Telephone port status | On: The connection between the TEL port and the voice server has been set up Blinking: The voice service of the TEL port is established; Off: The connection between the TEL port and the voice server is not set up. |
| 7 | LAN1-4 | LAN port status | On: Ethernet connection is normal; Blinking: Data is being transmitted through the Ethernet port; Off: Ethernet connection is not set up; |
| 8 | PWR | Power status | On: The ONU is power on; Off: The ONU is Power off; |


Specification

| Item | | Parameter |
|-------------------------------|------------------------------|---|
| Interface | PON Interface | 1*GPON port, FSAN G.984.2 standard, Class B+ Downstream Data Rate: 2.488Gbps Upstream Data Rate: 1.244Gbps SC/UPC single mode fiber 28dB Link loss and 20KM distance with 1:128 |
| | POTS Interface | 2*RJ11 Max 1km distance Balanced Ring, 50V RMS |
| | Ethernet Interface | 4*10/100/1000M auto-negotiation Full/half duplex mode RJ45 connector Auto MDI/MDI-X 100m distance |
| | USB interface | 1*USB 2.0 interface Transmission Rate: 480Mbps |
| | Power Interface | 12V DC Power supply |
| Performance Parameters | PON Optical Parameter | Wavelength: Tx 1310nm, Rx1490nm Tx Optical Power: 0.5~5dBm Rx Sensitivity: -28dBm Saturation Optical Power: -8dBm |
| | Data Transmission Parameter | PON Throughput: Downstream 2.488Gbit/s; Upstream 1.244Gbit/s Ethernet: 1000Mbps Packet Loss Ratio: <1*10E-12 latency: <1.5ms |
| Network Management | Management Mode | OMCI, TR069, WEB, Telnet |
| | Management Function | Status monitor, Configuration management, Alarm management, Log management |
| Physical Features | Power | External 12VDC/1.5A power supply adapter Power consumption: <13W |
| | Dimension and Weight | Item Dimension: 240mm(L) x 240mm(W) x 24mm (H) Item Net Weight: about 317g |
| | Environmental Specifications | Operating temperature: 0 to 40°C Operating humidity: 10% to 90%(Non-condensing) |

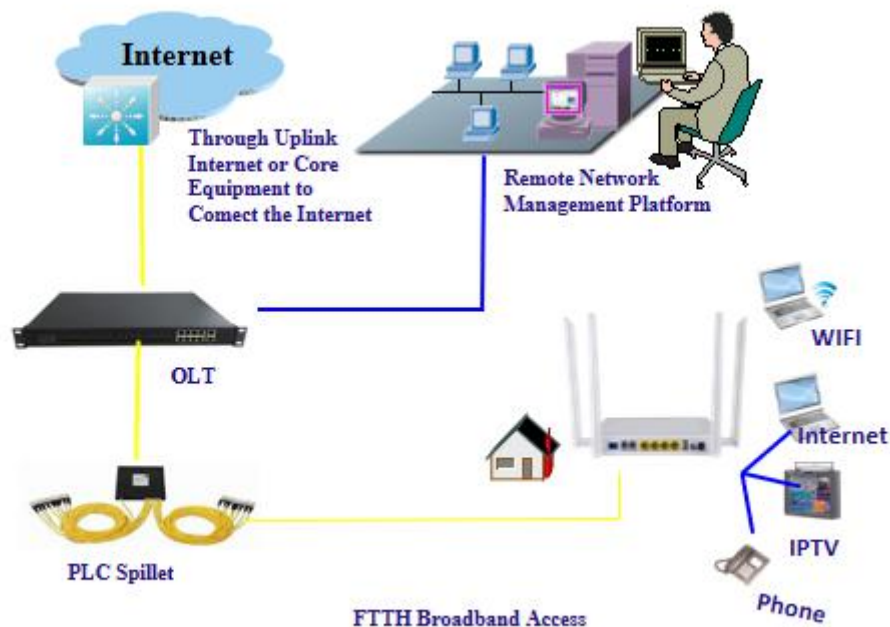
WIFI Features

- Comply with IEEE 802.11a/b/g/n/ac protocol standard, support 2.4GHz and 5GHz
- There are four external antennas
- 5dBi antenna gain
- Maximum ideal rate up to 1.2Gbps
- 2.4GHz supports 2*2 MIMO (Multiple-Input Multiple-Output) technology
- 5GHz supports 2*2 MIMO (Multiple-Input Multiple-Output) technology
- Support 8 SSIDs
- Support wider RF bandwidth, up to 80MHz
- Support higher 256-QAM modulation mode
- Support MIMO-OFDM encoding mode
- Support wireless security of 64/128 bit WEP、802.1x、 WPA and WPA2

Network Application

Typical Solution: FTTH

Typical Business: Internet, Voice, WIFI



Ordering Information

| Product Name | Product Model | Descriptions |
|--------------------------|-----------------|--|
| Dual-Band voice type ONU | FD604GW-DG-Z710 | 4*10/100/1000M Ethernet interface, 1 GPON interface, 2 POTS interface, 1 USB interface, support 802.11 a/b/g/n/ac WIFI function, plastic casing, external power supply adapter |