

## FD604GW-DX-Z710 4GE+2POTS+Dual-Band WIFI Dual-Mode ONU



### Brief Views

FD604GW-DX-Z710 dual-mode ONU supports EPON and GPON two modes access. The ONU automatically switches into the corresponding PON mode by identifying the local OLT mode to complete GPON or EPON adaptive access.

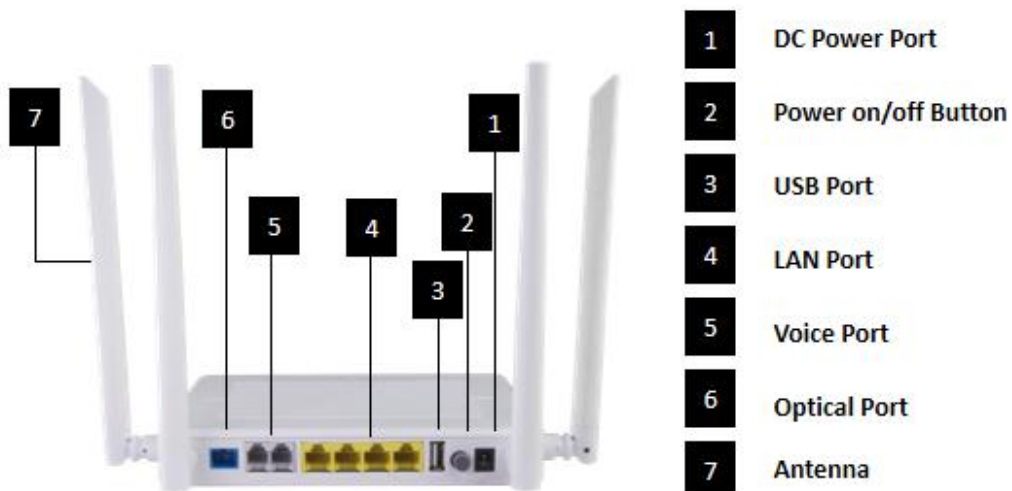
FD604GW-DX-Z710 features high-performance forwarding capabilities to ensure excellent experience with VoIP, Internet and HD video services. It fully meets the ITU-T technical standards and have good compatibility with third party OLT. It provides a perfect terminal solution and future-oriented service supporting capabilities for FTTH deployment.

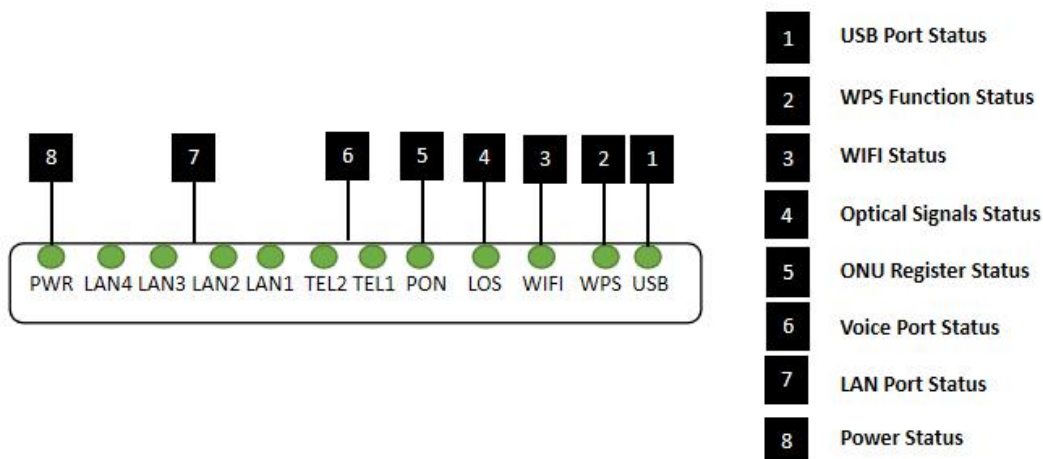
FD604GW-DX-Z710 integrate wireless function which meets 802.11 a/b/g/n/ac technical standards. At the same time, it also supports 2.4GHz/5GHz dual-band wireless signal. It has the characteristics of strong penetrating power and wide coverage. It can provide users with more efficient data transmission security.

## Functional Feature

- In compliant with ITU - T G.984.1/2/3/4 and IEEE802.3ah standard
- Support ONU auto-discovery/Link detection/remote upgrade of software
- Meet 802.11 a/b/g/n/ac WIFI technical standard
- Support VLAN transparent, tag, untag configuration
- Support multicast function
- Support DHCP/Static/PPPOE internet mode
- Support port-binding
- Support TR069 remote management
- Support data encryption and decryption function
- Support Dynamic Bandwidth Allocation (DBA)
- Support MAC filter and URL access control
- Support H.248 and SIP protocol
- Support power-off alarm function ,easy for link problem detection
- Specialized design for system breakdown prevention to maintain stable system
- EMS network management based on SNMP ,convenient for maintenance

## Product Interface and LED Definitions





Indicator			Description
1	USB	USB port status	On: USB connection is normal; Off: USB connection is not set up;
2	WPS	WPS status	Blinking: In the connected state, waiting for the device to access; Off: In the not connected state;
3	WIFI	WIFI	Blinking: Data is being transmitted On: WIFI function Opens
4	LOS	XPON optical signals	On: Optical power lower than receiver sensitivity ; Off: Optical in normal
5	PON	ONU Register	On: Success to register to OLT; Blinking: In process of registering to OLT; Off: In process of registering to OLT;
6	TEL1-2	Telephone port status	On: The connection between the TEL port and the voice server has been set up Blinking: The voice service of the TEL port is established; Off: The connection between the TEL port and the voice server is not set up.
7	LAN1-4	LAN port status	On: Ethernet connection is normal; Blinking: Data is being transmitted through the Ethernet port; Off: Ethernet connection is not set up;
8	PWR	Power status	On: The ONU is power on; Off: The ONU is Power off;


**Specification**

Item		Parameter
<b>Interface</b>	EPON/GPON Interface	SC/UPC single mode single fiber GPON: FSAN G.984.2 standard, Class B+ EPON: 1000BASE-PX20+ symmetric GPON: 2.488Gbps/1.244Gbps downstream/upstream EPON: 1.25Gbps downstream/upstream Wavelength: Transmit: 1310nm Receiver: 1490nm Receiving sensitivity : GPON: -28dBm EPON: -27dBm Saturated power : GPON: -8dBm EPON: -3dBm Transmitting power : GPON: 0.5~5dBm EPON:0~4dBm
	POTS Interface	2*RJ11 Max 1km distance Balanced Ring, 50V RMS
	Ethernet Interface	4*10/100/1000M auto-negotiation Full/half duplex mode RJ45 connector Auto MDI/MDI-X 100m distance
	USB interface	1*USB 2.0 interface Transmission Rate: 480Mbps
	Power Interface	12V DC Power supply
<b>Network Management</b>	Management Mode	OMCI, OAM, TR069, WEB, Telnet
	Management Function	Status monitor, Configuration management, Alarm management, Log management
<b>Physical Features</b>	Power	External 12VDC/1.5A power supply adapter Power consumption: <13W
	Dimension and Weight	Item Dimension: 240mm(L) x 240mm(W) x 24mm (H) Item Net Weight: about 317g
	Environmental Specifications	Operating temperature: 0 to 40° C Operating humidity: 10% to 90%(Non-condensing)

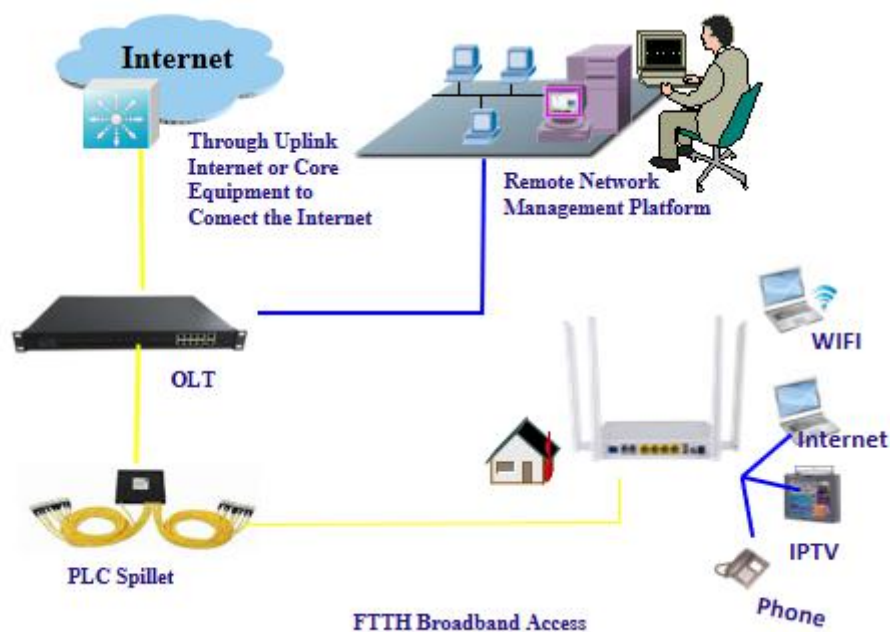
## WIFI Features

- Comply with IEEE 802.11a/b/g/n/ac protocol standard, support 2.4GHz and 5GHz
- There are four external antennas
- 5dBi antenna gain
- Maximum ideal rate up to 1.2Gbps
- 2.4GHz supports 2\*2 MIMO (Multiple-Input Multiple-Output) technology
- 5GHz supports 2\*2 MIMO (Multiple-Input Multiple-Output) technology
- Support 8 SSIDs
- Support wider RF bandwidth, up to 80MHz
- Support higher 256-QAM modulation mode
- Support MIMO-OFDM encoding mode
- Support wireless security of 64/128 bit WEP、802.1x、WPA and WPA2

## Network Application

Typical Solution: FTTH

Typical Business: Internet, Voice, WIFI



## Ordering Information

Product Name	Product Model	Descriptions
4GE+2POTS+Dual -Band WIFI	FD604GW-DX-Z710	4*10/100/1000M Ethernet interface, 1 EPON/GPON adaptive interface, 2 POTS interface, 1 USB interface, support dual-band WIFI function, plastic casing, external power supply adapter